

NB Adapter

NB PRO Series

NB PRO 45 - FSP045-RBBN3

NB PRO 65 - FSP065-RBBN3

NB PRO 90 - FSP090-DBBN3



Features

- + AC input 100-240Vac for Worldwide usage
- + Efficiency $\geq 88\%$
- + DC Output 19V
- + Compatible with most 18~20V input Laptops
- + 9 exchangeable tips
- + Meet DoE level VI & Coc Tier 2
- + Complete Protections: OCP/OVP/OPP/SCP

Specification Information

- ***FSP045-RBBN3***

Output Power : 45W

Output Voltage : 19V

Output Current : 2.37A

Dimension: 108 * 46.3 * 30mm

- ***FSP065-RBBN3***

Output Power : 65W

Output Voltage : 19V

Output Current : 3.42A

Dimension: 108 * 46.3 * 30mm

Specification Information

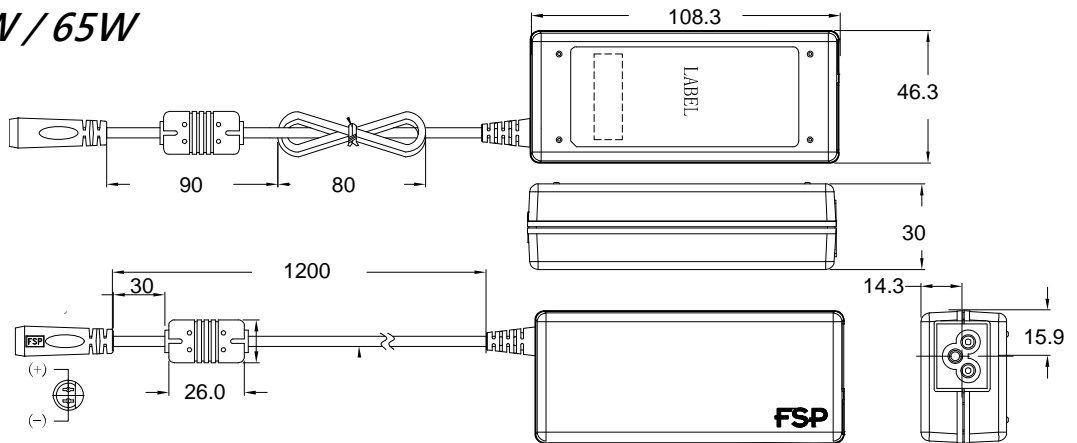
- **FSP090-DBBN3**
Output Power : 90W
Output Voltage : 19V
Output Current : 4.74A
Dimension: 129 * 51 *30.9mm

EAN / UPC Code

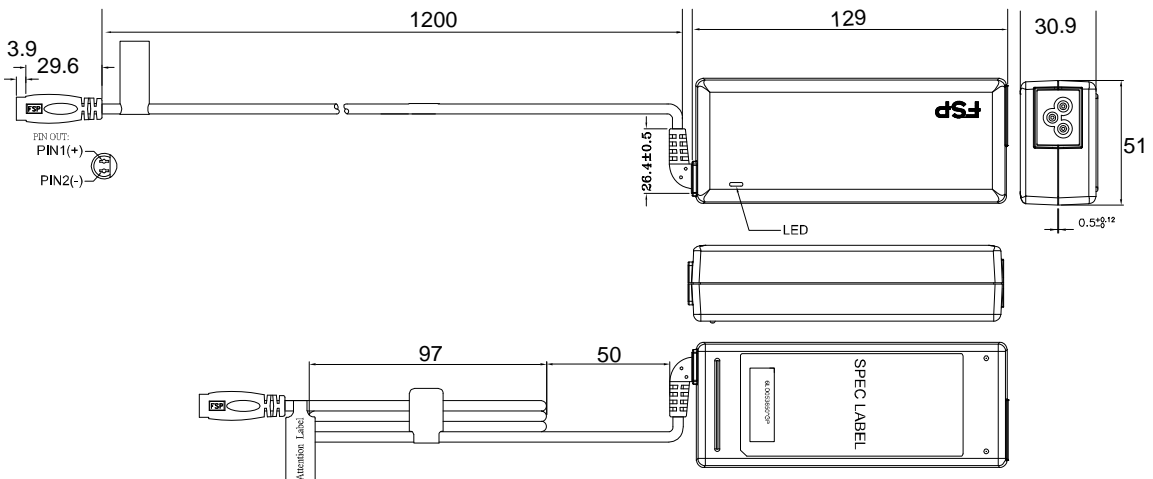
Model	EAN Code	UPC Code
FSP045-RBBN3	471322452247 5	84568501047 6
FSP065-RBBN3	471322452248 2	84568501048 3
FSP090-DBBN3	471322452249 9	84568501049 0

Mechanical Drawing

- **45W / 65W**



- **90W**



Tips Information

Tips No.	Photo	Dimension (mm)	Color	Application
U1		4.75/1.7	Yellow	HP
U2		5.5/2.5	White	TOSHIBA LENOVO
U3		6.5/1.4	Yellow	SONY
U4		5.5/1.7	Orange	ACER ASUS
U5		4.0/1.1	Red	ASUS
U6		3.0/1.1	Black	ACER/ASUS SAMSUNG
U7		4.5/0.6	Grey	Dell/HP ASUS
U8		11/4.7	Yellow	LENOVO
U9		4.5/0.6	Blue	HP