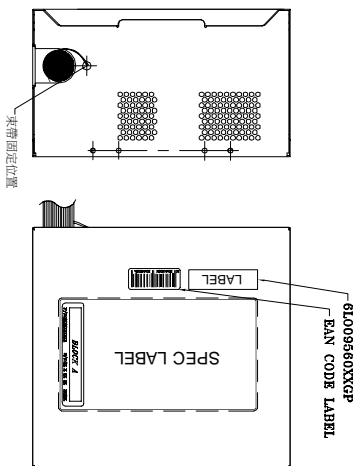
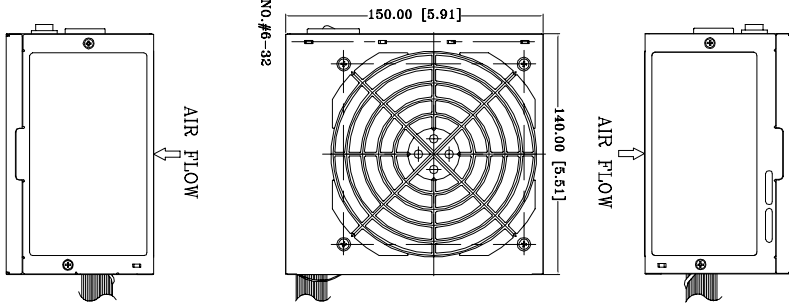
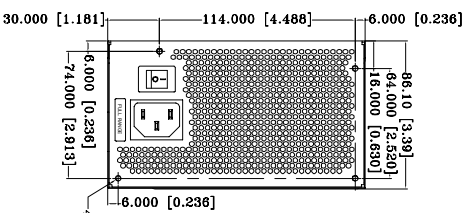
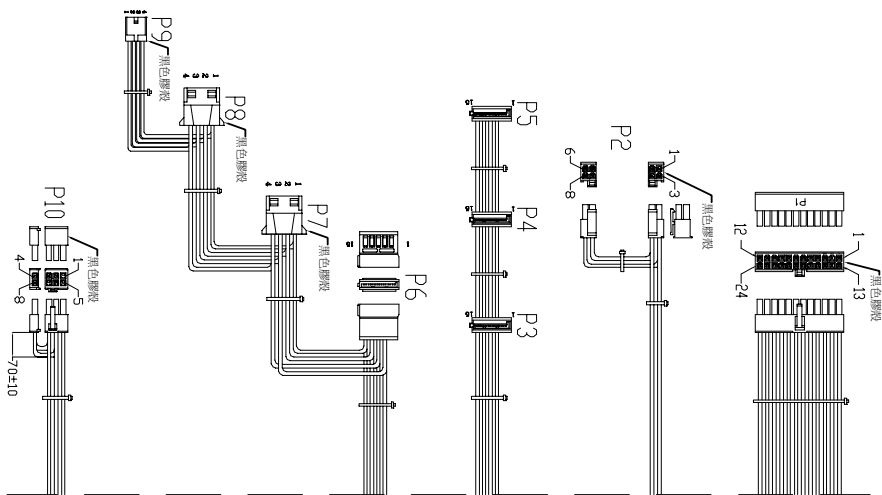


外觀圖



REF. ID.	FIN. NO.	SIGNAL	WIRE COLOR	GAUGE	CONNECTOR TYPE	CABLE LENGTH			
P1	1	+3.3VDC	ORANGE	20	MOLEX-2240	500±8mm			
	2	+3.3VDC	ORANGE	20	MOLEX-39-01-2240				
	3	+5VDC	RED	18	or EQUIV.				
	4	+5VDC	BLACK	18					
	5	+5VDC	BLACK	18					
	6	+5VDC	RED	20					
	7	COM	BLACK	18					
	8	COM	GRAY	2.4					
P2	1	+5VDC	RED	20	MST P4-142002BK-3B+ P4-142002BK-4B or EQUIV.	500±8mm			
	2	+5VDC	RED	20					
	3	+5VDC	RED	20					
	4	COM	BLACK	18					
	5	+12V	YELLOW	18					
	6	+12V	YELLOW	18					
	7	COM	BLACK	20					
	8	+12V	YELLOW	20					
	9	+5VDC	RED	20					
	10	+12V	YELLOW	18					
	11	+12V	YELLOW	18					
	P3	1	+5VDC	RED			20	MOLEX SD-67926-0311 or EQUIV.	400±8mm
2		+5VDC	RED	20					
3		+5VDC	RED	20					
4		+5VDC	BLACK	20					
5		+12V	YELLOW	20					
P4		1	COM	BLACK	20	MOLEX SD-67926-0311 or EQUIV.	150±10mm		
		2	COM	BLACK	20				
		3	+5VDC	RED	20				
		4	COM	BLACK	20				
		5	+12V	YELLOW	20				
P5		1	COM	BLACK	20	MOLEX SD-67926-001 or EQUIV.	400±8mm		
		2	+5VDC	RED	20				
	3	+5VDC	RED	20					
	4	+5VDC	RED	20					
	5	+12V	YELLOW	20					
P6	1	COM	BLACK	20	MOLEX SD-67926-001 or EQUIV.	400±8mm			
	2	+5VDC	RED	20					
	3	+5VDC	RED	20					
	4	+5VDC	RED	20					
	5	+12V	YELLOW	20					
P7	1	COM	BLACK	20	AMP 1-480424-0 or EQUIV.	150±10mm			
	2	COM	BLACK	20					
	3	COM	BLACK	20					
	4	+5VDC	RED	20					
	5	+5VDC	RED	20					
P8	1	COM	BLACK	20	AMP 1-480424-0 or EQUIV.	150±10mm			
	2	COM	BLACK	20					
	3	COM	BLACK	20					
	4	+5VDC	RED	20					
	5	+5VDC	RED	20					
P9	1	+5VDC	RED	20	AMP 22-4 or EQUIV.	150±10mm			
	2	COM	BLACK	22					
	3	COM	BLACK	22					
	4	+12V	YELLOW	22					
	5	+12V	YELLOW	22					
P10	1	+12V	YELLOW	18	MST P8-142002K21B-B or EQUIV.	400±8mm			
	2	+12V	YELLOW	18					
	3	COM	BLACK	20					
	4	COM	BLACK	20					
	5	COM	BLACK	18					
	6	COM	BLACK	18					
	7	COM	BLACK	18					
	8	COM	BLACK	20					



- NOTES:
1. ALL THE LENGTH OF OUTPUT WIRES EXCLUDE HOUSING.
 2. 產地標籤依業務指示加貼.
 3. 公差: .XX=±0.5 [0.02]、.XXX=±0.25 [0.01].
 4. +3.3V sense線插在+3.3V板孔上.

UNIT:mm [inch]

P/N.:9PA400CT05

MODEL NO. :FSP400-50AAC,(F040002)	TITLE:ASSY	SHEET: 1 OF 1	REV:01
R&D 8	PE	DRAWN	DATE
			JAN.07.2020