

VR-FRIENDLY : Dual HDMI Ports design!!

ASUS Exclusive Innovations

■ **AUTO-EXTREME TECHNOLOGY**

An industry-only, 100% automated production process that incorporates Super Alloy Power II components for premium quality and best reliability.



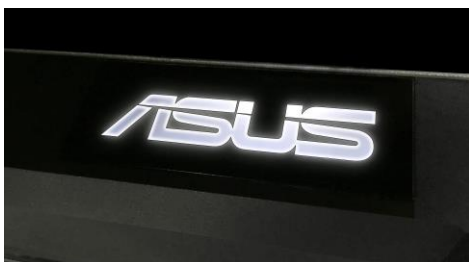
■ **VR-FRIENDLY HDMI PORTS**

Let you connect a VR device and display at the same time and enjoy immersive virtual reality experiences without having to swap cables.



■ **Customizable Backlit Logo**

ASUS Turbo GTX 1060 comes with an LED backlit ASUS logo that you can swap with your own custom design for a truly unique look.



■ **GPU Tweak II with Xsplit Gamecaster**

Tweak Till Your Heart's Content

With an intuitive new UI, GPU Tweak II makes overclocking easier than ever, and features Game Booster to maximize graphics performance and XSplit Gamecaster to stream or record your gameplay.

Free 1-year premium XSplit Gamecaster (USD 99.95 /yr)



ASUS Features

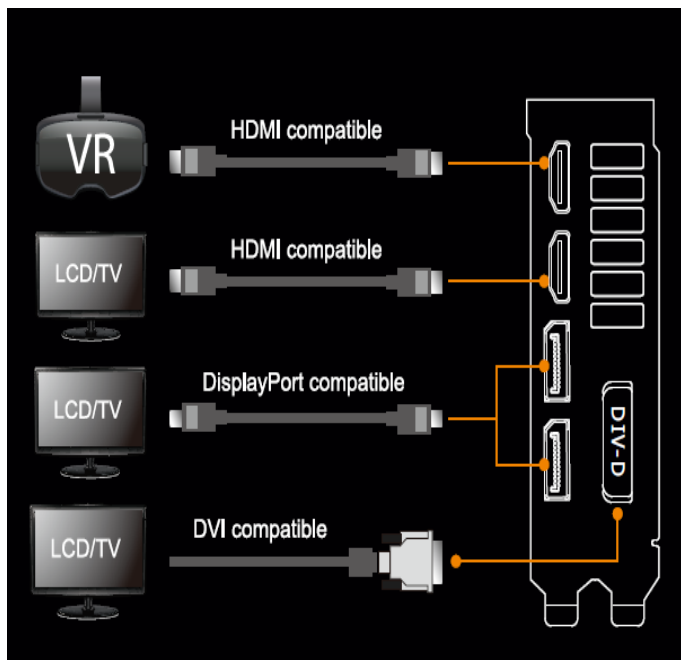
6 GDDR5
GB
Memory

● **Gigantic 6GB GDDR5 Memory:**
On-board memory for the best gaming experience & the best resolution

GPU Tweak II
Real-time Graphics Tuning and Live Streaming

■ **GPU Tweak II:**
GPU Tweak II helps you modify clock speeds, voltages, fan performance and more, all via an intuitive interface.

I/O Specifications



Graphics GPU Features


Adaptive V-Sync

● **NVIDIA® Adaptive V-Sync :**
NVIDIA Adaptive Vertical Sync adjusts VSync to current frame rates for maximum playability


PhysX
by NVIDIA

● **NVIDIA® PhysX® ready:**
Dynamic visual effects like blazing explosions, reactive debris, realistic water, and lifelike characters.


NVIDIA 3D VISION READY

● **NVIDIA® 3D Vision™ Surround Ready:**
Bring games to life with NVIDIA® Surround™ multi-monitor gaming on a single card


PCIe 3.0
2X Data Bandwidth

● **PCIe 3.0:**
Delivers double the bandwidth per lane of PCIe Gen 2 for faster GPU – CPU communication

Hardware Specification

Model	TURBO-GTX1060-6G
Graphics Engine	NVIDIA® GeForce® GTX 1060
Bus Standard	PCI Express® 3.0
OpenGL	OpenGL® 4.5
Video Memory	6GB GDDR5
GPU boost Clock	1708 MHz
GPU base Clock	1506 MHz
CUDA cores	1280
Memory Clock	8008 MHz
Memory Interface	192-bit
DVI Output	1x Native Dual-link DVI-D
HDMI Output	2x Native HDMI 2.0
HDCP compliant	YES
DisplayPort	2x Native DisplayPort 1.4
Software Bundled	ASUS GPU Tweak II & Driver
Max. Digital Resolution	7680 x 4320
Dimension	The card size is 10.5 x 4.376 x 1.5 inches 26.67 x 11.12 x 3.81 cm
Note	<ul style="list-style-type: none"> ● To have the best cooling performance, ASUS TURBO GTX1060 extends the fansink to 2 slots. Please double check you Chassis and Motherboard dimension prior to purchase to make sure it fits in your system! ● Note that the actual boost clock will vary depending on actual system conditions. For more information, please visit http://www.geforce.com/

- Specifications are subject to change without notice.
- PCB color and bundled software versions are change without notice.
- Brand and product names mentioned are trademarks of their respective company.

