



23" Security Monitor

DuraVision® FDF2306W



23" Monitor with Real-Time Visibility-Enhancing Technology for Security and Surveillance

Visibility Optimizer for Clear Images

The DuraVision FDF2306W is equipped with EIZO's Visibility Optimizer visibility-enhancing technology which includes functions for improving the clarity of images in real time.

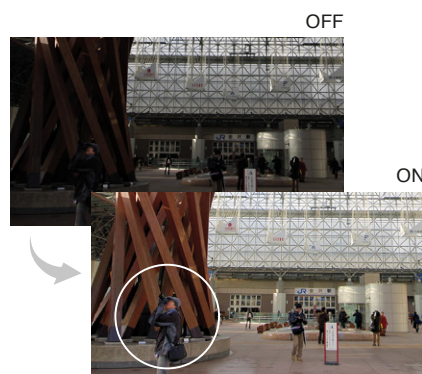
Defog

Defog enhances images that are affected by fog, snow, or other environmental factors that cause the video to appear hazy or unclear.



Low-light Correction

Low-light Correction detects areas of the screen that are dark and difficult to see and adjusts the brightness of each pixel. This reproduces highly visible images with a realistic sense of depth by brightening dark areas and keeping lighter areas from becoming washed out.



Outline Enhancer

Outline Enhancer analyzes the displayed content and ensures that noise is not accentuated while correcting blurred areas for a sharper, clearer image. For images with a great deal of depth, it sharpens the foreground more strongly to maintain a real-world sense of focus.



Clear View from Below

For environments where the monitor is placed above eye level, the DuraVision FDF2306W includes an Up View function that minimizes color wash-out that may occur from viewing an LCD screen from below. This ensures that the screen can be viewed clearly whether the monitor is placed on a desk or mounted to a wall or ceiling.



When viewed from below



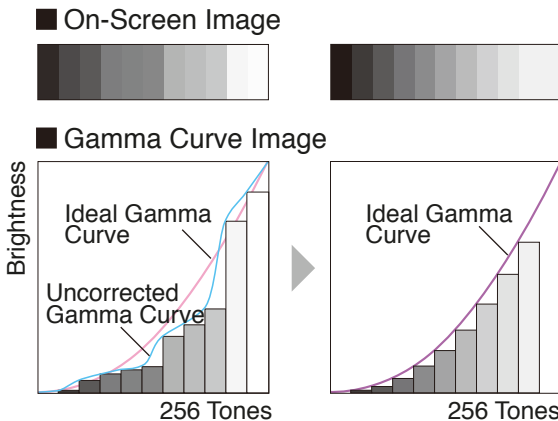
Up View Off



Up View On

Smooth Gradations

The DuraVision FDF2306W converts an 8-bit input signal from a PC to 14-bit and selects the most appropriate tones from a 14-bit look-up-table (LUT). The signal is then converted back to 8-bit for smooth gradations.



LED Backlight

The monitor is equipped with an LED backlight that has a wide dimming range adjustable to as low as 3 cd/m². This provides flexibility and comfort when using the monitor in environments with low or changing ambient lighting.

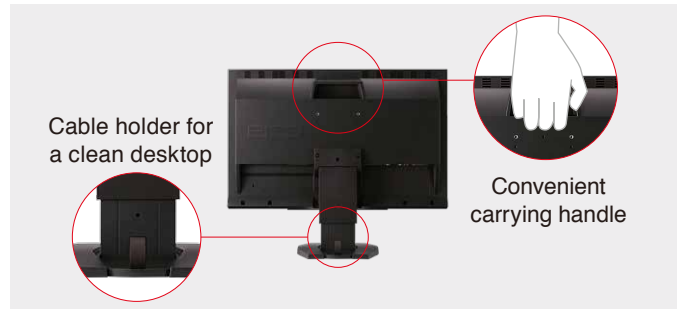
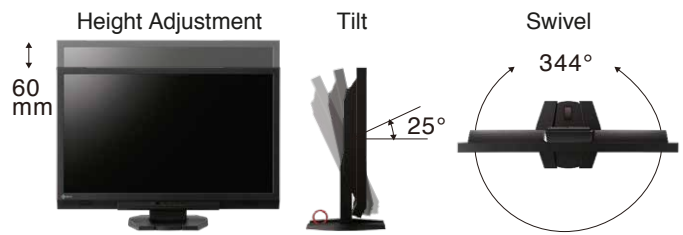
Compact Remote Control

Change inputs, sound, screen size, and other settings with the included remote control.



Versatile Positioning

Adjust the monitor to the most comfortable position with height adjustment, tilt, and swivel capability. The stand can be easily removed for wall mounting with VESA support.



2-Year, 24-Hour Use Warranty

The monitor is built for 24-hour use and is backed by a two-year manufacturer's warranty for long-term reliability.

Additional Features

- DVI-D × 1, D-Sub mini × 1, HDMI inputs × 2
- Non-glare panel
- Noise Reduction function that reduces the amount of block noise due to video compression
- Overdrive circuit that minimizes ghosting and blurring during high motion scenes
- Contrast Enhancer which increases contrast ratio to 5000:1 for clear display
- Automatic brightness adjustment which optimizes the screen's brightness according to ambient lighting

Optional Accessories

Panel to protect against dust and scratches.

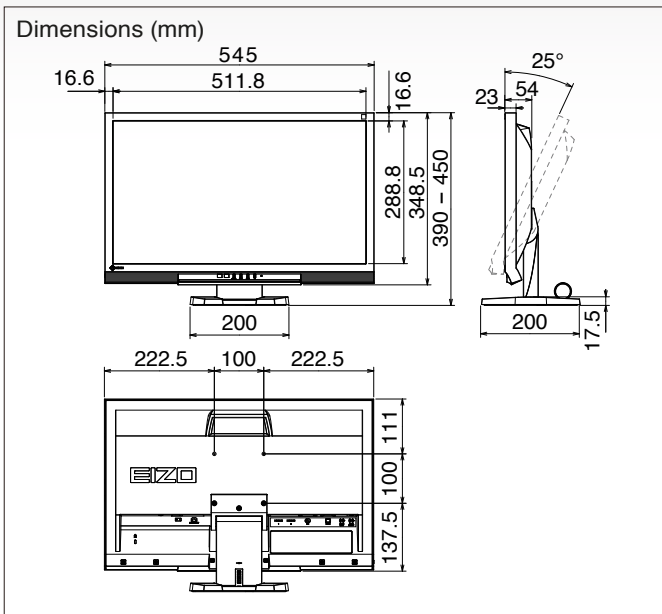
FP-2301W



1-axis wall mount arm with tilt and swivel capability.

LA-011-W





SPECIFICATIONS

| | |
|--|---|
| Cabinet Color | Black |
| Panel Type | TN |
| Backlight | LED |
| Panel Size | 23" / 58 cm (584 mm diagonal) |
| Native Resolution | 1920 x 1080 |
| Viewable Image Size (H x V) | 509.7 x 286.7 mm |
| Pixel Pitch | 0.266 x 0.266 mm |
| Display Colors | 16.7 million |
| Viewing Angles (H / V, typical) | 170°, 160° |
| Brightness (typical) | 250 cd/m ² |
| Contrast Ratio (typical) | 1000:1 (5000:1 with ContrastEnhancer) |
| Response Time (typical) | 10 ms (Black-White-Black) |
| Input Terminals | PC: DVI-D 24 pin (with HDCP), D-Sub mini 15 pin PC / AV: HDMI x 2 |
| Digital Scanning Frequency (H / V) | HDMI: 15 - 68 kHz / 49 - 61 Hz (VGA Text: 69 - 71 Hz), DVI: 31 - 68 kHz, 59 - 61 Hz (VGA Text: 69 - 71 Hz) |
| Analog Scanning Frequency (H / V) | PC: 31 - 81 kHz, 55 - 76 Hz AV: - |
| Sync Formats | PC: Separate AV: - |
| Speakers | 0.5 W + 0.5 W (stereo) |
| Audio Input Terminals | PC: 3.5 mm stereo jack x 1 PC / AV: HDMI x 2 |
| Audio Output Terminals | 3.5 mm stereo jack, 3.5 mm headphone jack |
| Sound Adjustment | Volume, Mute, Sound Level, source (HDMI) |
| Power Requirements | AC 100 - 120 V/ AC 200 - 240 V, 50 / 60 Hz |
| Maximum Power Consumption | 38 W |
| Typical Power Consumption | 19 W |
| Power Save Mode | Less than 0.4 W |
| Standby Mode | Less than 0.3 W |
| Power Management | DVI DMPM, VESA DPM |
| Preset Modes | Color Mode (User1, User2, sRGB) |
| Auto EcoView | Yes (Default: Disabled) |
| OSD Languages | English, French, German, Italian, Japanese, Simplified and Traditional Chinese, Spanish, Swedish |
| Others | Visibility Optimizer (Low-light Control, Defog, Auto Fog Detection, Outline Enhancer, Skin Tone Detection, Text Detection, Noise Reduction), Smoothing, Overdrive, Contrast Enhancer, Up View, Key Lock |
| Dimensions (Landscape, W x H x D) | 545 x 390 - 450 x 200 mm |
| Dimensions (Without Stand, W x H x D) | 545 x 348.5 x 54 mm |
| Net Weight | 5.2 kg / 11.5 lbs |
| Net Weight (Without Stand) | 3.9 kg / 8.6 lbs |
| Height Adjustment Range | 60 mm |
| Tilt | 25° Up, 0° Down |
| Swivel | 172° Right, 172° Left |
| Hole Spacing (VESA Standard) | 100 x 100 mm |
| Operating Temperature | 5 - 35 °C |
| Operating Humidity (R.H., non condensing) | 20 - 80 % |
| Certifications & Standards | CB, CE, cTUVus, FCC-B, Canadian ICES-003-B, TUV/S, PSE, VCCI-B, CCC, RCM, EAC, RoHS, WEEE, China RoHS |
| Supplied Accessories | Power cord, Signal cable (DVI-D - DVI-D, HDMI - HDMI), remote control with battery, Screws for mount option, Setup manual, CD-ROM (PDF user's manual) |
| Warranty | Two Years |



EIZO Europe:

Austria ♦ www.eizo.at
Belgium & Luxembourg ♦ www.eizo.be
Czech Republic ♦ www.eizo.cz

Germany ♦ www.eizo.de
Hungary ♦ www.eizo.hu
Italy ♦ www.eizo.it

Slovakia ♦ www.eizomonitor.sk
The Netherlands ♦ www.eizo.nl
United Kingdom ♦ www.eizo.co.uk