

# WIMIPOS PT-51

15" PCAP Touchscreen

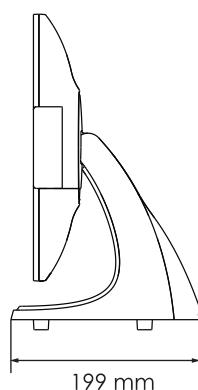
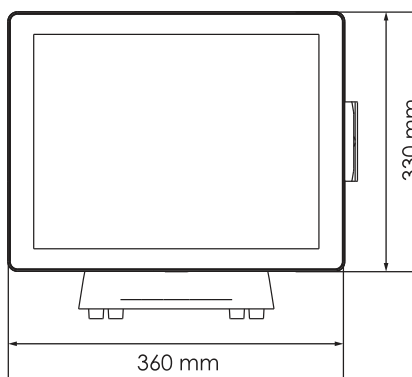


## Features

- / Support Intel 7th. Gen. CPU (Kabylake-U) and Celeron J1900 Processors
- / 15" PCAP Touchscreen (Multi Touch)
- / IP54 Water and Dust Resistant Front Panel
- / Customer display available

# Specification

PT-51			
	Motherboard	MA-36	MB-66
System	Processor	Intel Bay Trail CPU Celeron J1900, up to 2.4GHz	Intel Kabylake-U Core i3-7020U
	Graphic	CPU Intergrated	
	System Memory	1x DDR3L SO-DIMM 4GB	1x DDR4 SO-DIMM 4GB
		SSD 120GB (M.2)	
LCD Touch Panel	LCD Size	15" TFT LCD	
	Brightness	300 nits	
	Resolution	1024 x 768	
	Touch Screen	True-Flat PCAP Multi-touch	
External I/O Ports	USB	1x USB 3.0, 7x USB 2.0	4xUSB 3.0, 4x USB2.0
	Serial Port	- COM1/2 (DB-9 RS232, support DC 0V/+5V/+12V by jumper setting, default setting is DC 0V) - COM3 is DB-9, standard COM port	- COM1/2 (DB-9 RS232 supports DC 0V/+5V/+12V, selectable by BIOS, default setting is DC 0V) - COM3 is DB-9, standard COM port
	LAN	1 x RJ-45 (10/100/1000 baseT)	
	Cash Drawer	1x RJ11 (2 in 1)	
	VGA	1x DB-15 (Support DC 0V/+12V by jumper setting. Default setting is DC +12v)	1x DB-15 (support DC 0V/+12V, selectable by BIOS, default setting is DC 0V)
	DC Jack	1x DC+12V jack with locked Screw	
	Power Button	1	
	Audio	-	
	Indicator	LED Indicator 1 for Power LED	
	Power	Power Adapter	60W / DC+12V input
MSR		3-Track MSR, USB Type	
Peripheral (Option)	iButton	USB Type	
	Customer Display	LCM display 2 x 20 characters, USB Type	
	2nd Display	15.1" / 300 nits / 1024 x 768, VGA Type 11.6" / 250 nits / 1366 x 768, VGA Type	
	RFID	USB Type	
	Fingerprint	USB Type	
Mounting	-		
Certificate	EMC & Safety CE/FCC		
Environment	Operating Temperature	0°C ~ 35°C (32°F ~ 95°F)	
	Storage Temperature	-20°C ~ 60°C (-4°F ~ 140°F)	
	Humidity	20% ~ 80% RH non-condensing	
Dimensions (WxDxH)	360 x 199 x 330 mm		
Weight	5.01 kgs		
OS Supported	Windows 10		



## Contact