



全漢企業股份有限公司
FSP TECHNOLOGY INC.

台灣桃園市建國東路22號
No. 22, Jianguo East Road., Taoyuan City, Taiwan, R.O.C.
TEL: +886-3-375-9888
FAX: +886-3-375-6966

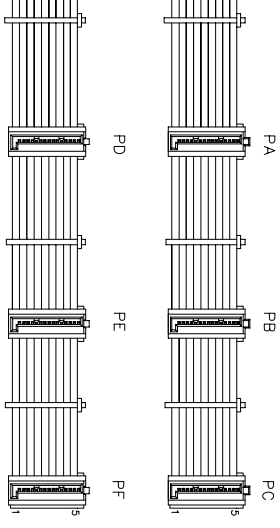
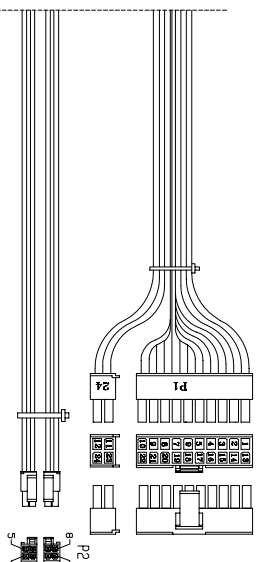
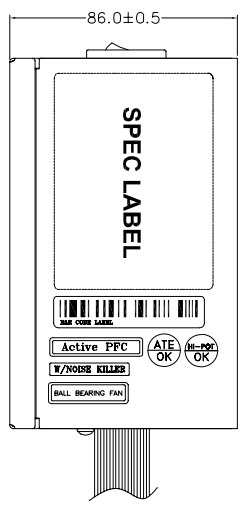
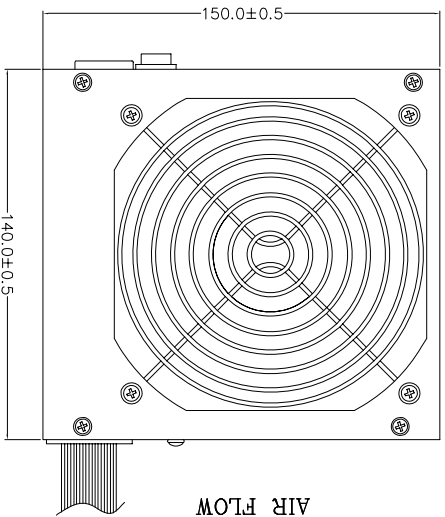
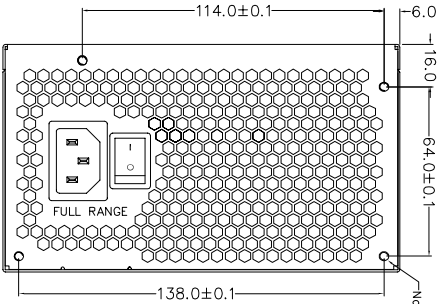
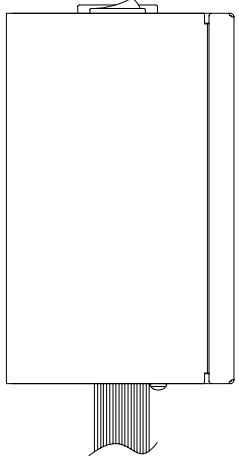
統一編號: 84239055
Website: www.FSP-group.com
Email: sales@fsp-group.com.tw

MECHANICAL DRAWING



Released Date: 2010/1/6-16:47:9

REF ID	PN	SIGNAL	WIRE COLOR	GAUGE	CONNECTION POINT	CABLE LENGTH
P1	1	+3.3VDC	ORANGE	18	Pin 1	380 ± 0.5mm
	2	+3.3VDC	ORANGE	18	Pin 2	380 ± 0.5mm
	3	COM	BLACK	18	Pin 3	380 ± 0.5mm
	4	+5VDC	RED	18	Pin 4	380 ± 0.5mm
	5	+5VDC	RED	18	Pin 5	380 ± 0.5mm
	6	+5VDC	RED	18	Pin 6	380 ± 0.5mm
	7	COM	BLACK	18	Pin 7	380 ± 0.5mm
	8	Pin-On	GRAY	24	Pin 8	380 ± 0.5mm
	9	+5Vdc	PURPLE	18	Pin 9	380 ± 0.5mm
	10	+12V	YELLOW	18	Pin 10	380 ± 0.5mm
	11	+12V	YELLOW	18	Pin 11	380 ± 0.5mm
	12	+3.3VDC	ORANGE	18	Pin 12	380 ± 0.5mm
	13	+3.3VDC	ORANGE	18	Pin 13	380 ± 0.5mm
	14	+12VDC	BROWN	24	Pin 14	380 ± 0.5mm
	15	COM	BLACK	18	Pin 15	380 ± 0.5mm
	16	COM	BLACK	18	Pin 16	380 ± 0.5mm
	17	COM	BLACK	18	Pin 17	380 ± 0.5mm
	18	COM	BLACK	18	Pin 18	380 ± 0.5mm
	19	COM	BLACK	18	Pin 19	380 ± 0.5mm
	20	+5VDC	RED	18	Pin 20	380 ± 0.5mm
	21	+5VDC	RED	18	Pin 21	380 ± 0.5mm
	22	+5VDC	RED	18	Pin 22	380 ± 0.5mm
	23	+5VDC	RED	18	Pin 23	380 ± 0.5mm
	24	COM	BLACK	18	Pin 24	380 ± 0.5mm



P/N.:9PA5502401

MODEL NO. : FSP550-80EPPN(F04321) TITLE: ASSY SHEET: 1 OF 1 REV:01

R&D(1) PE DRAWN DATE

JAN.04.2010

NOTE:

1. ALL THE LENGTH OF OUTPUT WIRES EXCLUDE HOUSING.
2. 產地標籤依業務指示加貼。

UNIT:mm

