

Product Highlights

P-Iris & Motorised Lens

Motorised control of the P-Iris lens gives finer contrast and much clearer image quality in difficult lighting environments and allows remote zoom and focus

2-Megapixels For Full HD Resolution At 60 fps

The progressive CMOS sensor captures all the details with smooth, high definition video or still images

Wide Dynamic Range

Wide Dynamic Range technology neutralises imperfect lighting, providing clear images with the right amount of contrast even for backlit subjects



DCS-7513

Full HD WDR Day & Night Outdoor Network Camera

Features

Exceptional Video Quality

- 1/2.8" 2-megapixel progressive CMOS sensor
- 2.8 to 12 mm motorised varifocal lens
- Up to Full HD resolution of 1920 x1080 at 60 fps
- Remote Zoom and Focus
- P-Iris technology
- Wide Dynamic Range image enhancement
- H.264 and MJPEG codec support for streaming and recording

Outdoor placement

- Built-in IR LED illuminator with a 30 metre range for use in dark areas
- Built-in heating and cooling ensure the camera can work in a range of climates from -40 to 50 °C
- Protective bracket for cables
- Rugged IP68 certified housing
- Glare reducing sun shield

Flexibility

- microSD card slot for onboard storage¹
- 10/100/1000 Gigabit Ethernet port with PoE ensures easy integration into your network
- Digital Input and Output connector for connections to external devices such as alarm relays
- Audio in and out jacks can be connected to a microphone and speaker for 2-way communication

The D-Link DCS-7513 Full HD WDR Day & Night Outdoor Network Camera is a high-definition professional surveillance and security solution suitable for small, medium, and large enterprises. The camera uses a high-sensitivity 2-megapixel progressive scan CMOS sensor with a motorised P-Iris lens and onboard WDR image enhancement to deliver truly superior quality video in all conditions. The all-in-one durable design makes this camera ideal for reliable deployment in surveillance applications without the need for accessories.

High-Quality Video

The DCS-7513 is equipped with a P-Iris lens that controls the iris with extreme precision. Its built-in stepping motor maintains the Iris opening at an optimal level at all times, resulting in superior image quality, clarity, and depth of field. The remote focus function eliminates the need for manual focusing at the camera's position and allows you to make adjustments from any computer. To maximise bandwidth efficiency and improve image quality, the DCS-7513 provides real-time video compression using the H.264 and MJPEG codecs and supports three separate profiles for simultaneous video streaming and recording. This versatility enables a wide variety of security applications, such as monitoring public areas to detect incidents and to coordinate responses, enforcing access control to restricted areas, deterring criminal activity, or monitoring inventory.

Continuous Monitoring

The DCS-7513 WDR image enhancement gives you improved image quality in environments with uneven or difficult lighting, so you can identify subjects that are backlit or in brightly lit areas. In low-light situations, the IR cut filter automatically slides out of the way to use all available light. The DCS-7513 is also built with IR LED illuminators with a 30 metre range, allowing the camera to keep watch even in complete darkness. These work together to give you a reliable surveillance camera capable of monitoring an area 24 hours a day.

Full HD WDR Day & Night Outdoor Network Camera

Robust Management Software

The Full HD WDR Day & Night Outdoor Network Camera includes D-ViewCam, a complete surveillance software package that enables you to view, manage, and record from up to 32 cameras on a single computer in a central location. Recordings and e-mail alerts can be triggered by motion detection or events triggered by digital input devices, keeping administrators informed of any unusual activity.

Connectivity

The DCS-7513 has a built-in 802.3af compliant PoE module that eases installation by providing power and networking connectivity with a single cable, reducing the need to drill holes or lay additional cabling. In addition, the included digital input and output connector enable connections to external devices such as IR sensors, switches and alarm relays.



If the worst should happen to your network you need the very best support and fast. Downtime costs your business money. D-Link Assist maximises your uptime by solving technical problems quickly and effectively. Our highly trained technicians are on standby around the clock, ensuring that award-winning support is only a phone call away.

With a choice of three affordable service offerings covering all D-Link business products, you can select the package that suits you best:

D-Link Assist Gold - for comprehensive 24-hour support

D-Link Assist Gold is perfect for mission-critical environments where maximum uptime is a high priority. It guarantees four hour around-the-clock response. Cover applies 24/7 for every day of the year including holidays.

D-Link Assist Silver - for prompt same-day assistance

D-Link Assist Silver is designed for 'high availability' businesses that require rapid response within regular working hours. It provides a four hour response service Monday to Friday from 8am to 5pm, excluding holidays.

D-Link Assist Bronze - for guaranteed response on the next business day

D-Link Assist Bronze is a highly cost-effective support solution for less critical environments. Response is guaranteed within eight business hours Monday to Friday from 8am to 5pm, excluding holidays.

D-Link Assist can be purchased together with any D-Link business product. So whether you're buying Switching, Wireless, Storage, Security or IP Surveillance equipment from D-Link, your peace of mind is guaranteed. D-Link Assist also offers installation and configuration services to get your new hardware working quickly and correctly.

Full HD WDR Day & Night Outdoor Network Camera

Technical Specifications

Camera

Camera Hardware Profile	<ul style="list-style-type: none"> • 1/2.8" 2-Megapixel progressive CMOS sensor • 30 metre IR illumination distance • Minimum illumination: <ul style="list-style-type: none"> • Colour (Day Mode), IR LEDs off: 0.1 lux / F1.4 • B/W (Night Mode), IR LEDs off: 0.008 lux / F1.4 • B/W (Night Mode), IR LEDs on: 0 lux / F1.4 • Built-in Infrared-Cut Removable (ICR) Filter module • 16x digital zoom • Minimum object distance: 0.5 m 	<ul style="list-style-type: none"> • 2.8 to 12 mm motorised P-Iris lens • Aperture: F1.4 • Angle of view (16:9) <ul style="list-style-type: none"> • (H) 33° to 108° • (V) 19° to 57° • (D) 39° to 134°
Camera Housing	<ul style="list-style-type: none"> • IP68 compliant weatherproof housing 	<ul style="list-style-type: none"> • Cable management bracket
Image Features	<ul style="list-style-type: none"> • Configurable image size, quality, frame rate, and bit rate • Time stamp and text overlays • Configurable motion detection windows 	<ul style="list-style-type: none"> • Configurable privacy mask zones • Configurable shutter speed, brightness, saturation, contrast, sharpness, zoom, focus, and aperture
Video Compression	<ul style="list-style-type: none"> • Simultaneous H.264/MJPEG format compression • H.264 multicast streaming 	<ul style="list-style-type: none"> • JPEG for still images
Video Resolution	<ul style="list-style-type: none"> • 16:9 at 1920 x 1080, 1280 x 720, 960 x 560, 640 x 360, 320 x 176 up to 60 fps, up to 30 fps with WDR on 	<ul style="list-style-type: none"> • 4:3 at 1280 x 960, 1024 x 768, 800 x 600, 640 x 480, 480 x 360, 320 x 240 up to 60 fps, up to 30 fps with WDR on
Audio Support	<ul style="list-style-type: none"> • G.711 	<ul style="list-style-type: none"> • AAC
External Device Interface	<ul style="list-style-type: none"> • 10/100/1000 BASE-TX Ethernet port with PoE (Class 3) • 1 DI / 1 DO 	<ul style="list-style-type: none"> • microSD card slot • Audio input/output

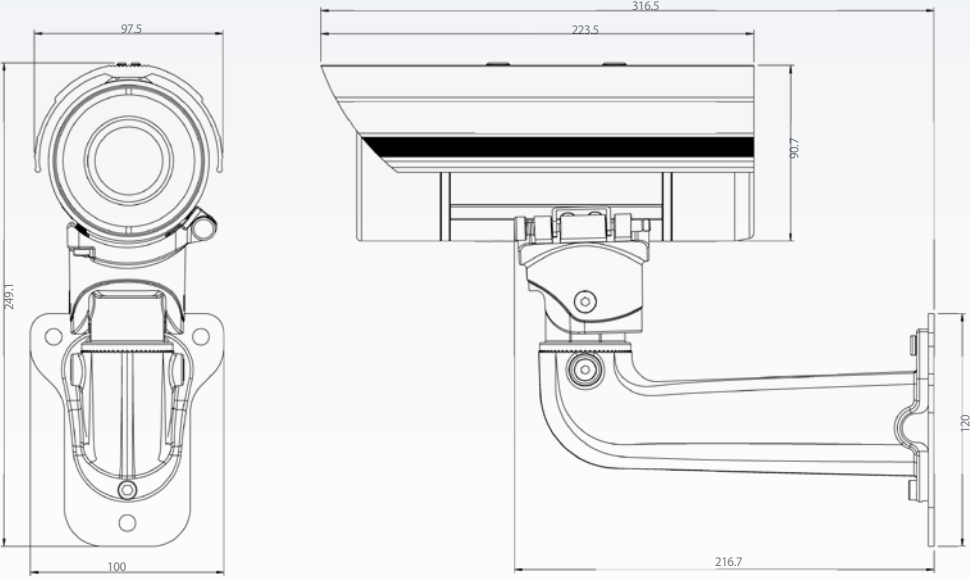
Network

Network Protocols	<ul style="list-style-type: none"> • IPv6 • IPv4 • TCP/IP • UDP • ICMP • DHCP client • NTP client (D-Link) • DNS client • DDNS client (D-Link) • SMTP client • FTP client • HTTP / HTTPS 	<ul style="list-style-type: none"> • Samba client • PPPoE • UPnP port forwarding • RTP / RTSP / RTCP • IP filtering • QoS • CoS • Multicast • ONVIF compliant • Bonjour • 802.1x • SNMP
Security	<ul style="list-style-type: none"> • Administrator and user group protection • Password authentication 	<ul style="list-style-type: none"> • HTTP and RTSP authentication

System Management

System Requirements for Web Interface	<ul style="list-style-type: none"> • Browser: Internet Explorer, Firefox, Chrome, or Safari 	
Event Management	<ul style="list-style-type: none"> • Motion and face detection • Event notification and uploading of snapshots/video clips via e-mail or FTP 	<ul style="list-style-type: none"> • Supports multiple SMTP and FTP servers • Multiple event notifications • Multiple recording methods for easy backup
Remote Management	<ul style="list-style-type: none"> • Take snapshots/video clips and save to local hard drive 	<ul style="list-style-type: none"> • Configuration interface accessible via web browser
Operating Systems	<ul style="list-style-type: none"> • Windows 10/8/7/Vista/XP/2000 	
D-ViewCam™ System Requirements	<ul style="list-style-type: none"> • Operating System: Microsoft Windows 8/7/Vista/XP • Web Browser: Internet Explorer 7 or higher 	<ul style="list-style-type: none"> • Protocol: Standard TCP/IP
D-ViewCam™ Software Functions	<ul style="list-style-type: none"> • Remote management • Control and manage up to 32 cameras • View up to 32 cameras on one screen 	<ul style="list-style-type: none"> • Management functions provided in web interface • Scheduled, motion detection, and manual recording triggers

Full HD WDR Day & Night Outdoor Network Camera

General	
Weight	• 1.54 kg with bracket and sunshield (3.40 pounds)
External Power Adapter	• Input: 100 to 240 V AC, 50/60 Hz • Output: 12 V 1.5 A
Power Consumption	• 10 watts \pm 5 %
Temperature	• Operating: -40 to 50 °C (-40 to 122 °F) • Storage: -20 to 70° C (-4° to 158° F)
Humidity	• Operating: 20% to 80% non-condensing • Storage: 5% to 95% non-condensing
Certifications	• CE • CE LVD • FCC • C-Tick
Dimensions	 <p>The technical drawings show the camera's dimensions in millimeters. The front view shows a width of 97.5 mm and a height of 209.1 mm. The side view shows a total length of 316.5 mm, a mounting bracket length of 223.5 mm, a height of 90.7 mm, and a depth of 216.7 mm. The mounting bracket has a height of 120 mm.</p>

¹ Camera is compatible with microSD/SD/SDHC/SDXC cards up to v3.01. Camera is not compatible with v4.x cards.



For more information: www.dlink.com

D-Link European Headquarters. D-Link (Europe) Ltd., D-Link House, Abbey Road, Park Royal, London, NW10 7BX.
Specifications are subject to change without notice. D-Link is a registered trademark of D-Link Corporation and its overseas subsidiaries.
All other trademarks belong to their respective owners. ©2017 D-Link Corporation. All rights reserved. E&OE.

Updated January 2017

D-Link[®]
Building Networks for People