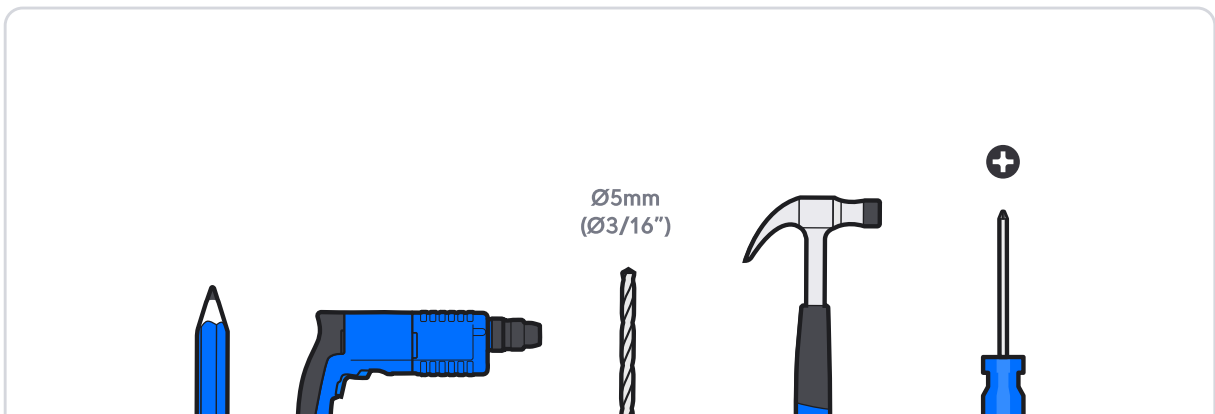
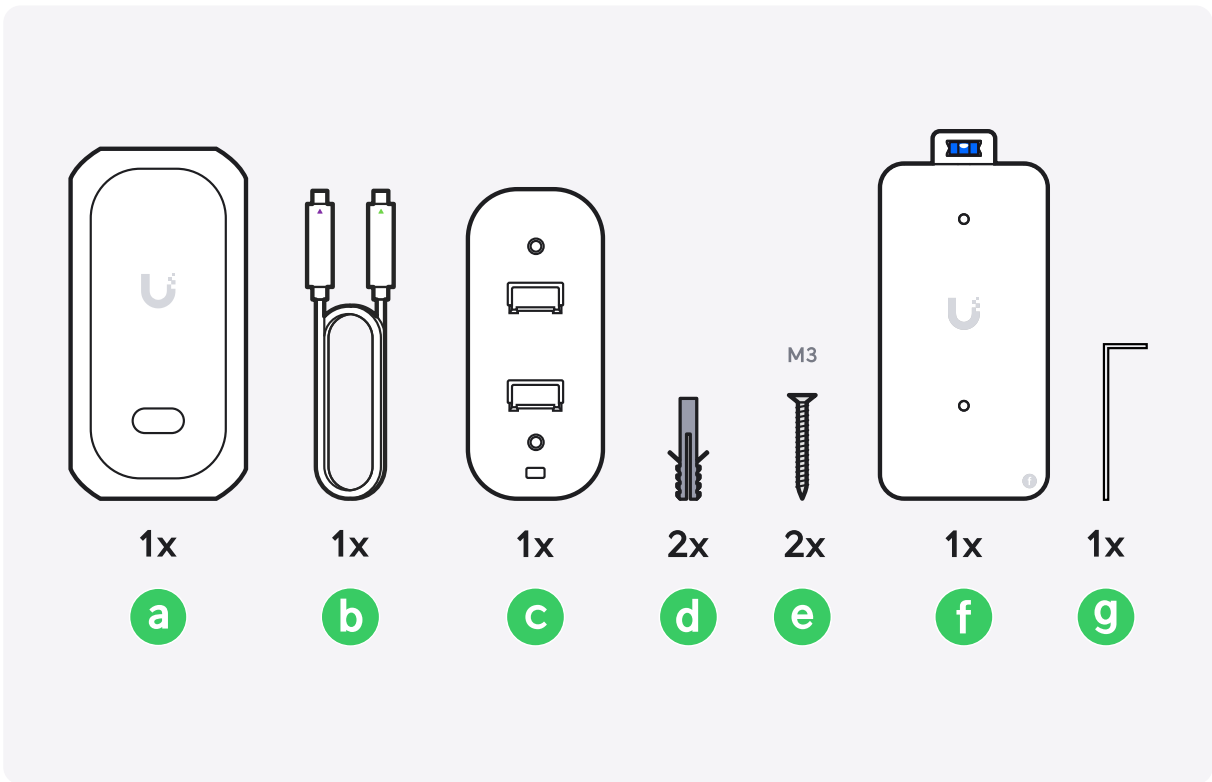




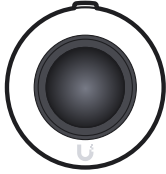
AI Theta Hub





AI Theta Pro
360 Lens

[Buy >](#)



AI Theta Pro
Long Distance Lens

[Buy >](#)



AI Theta Pro
Wide Angle Lens

[Buy >](#)

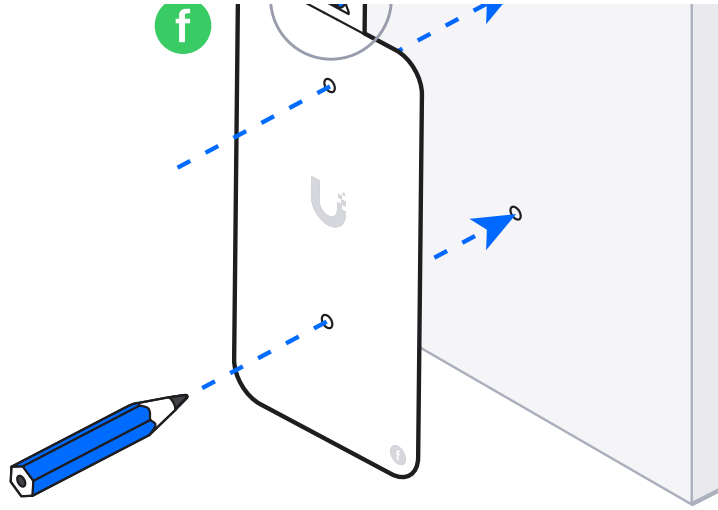


1

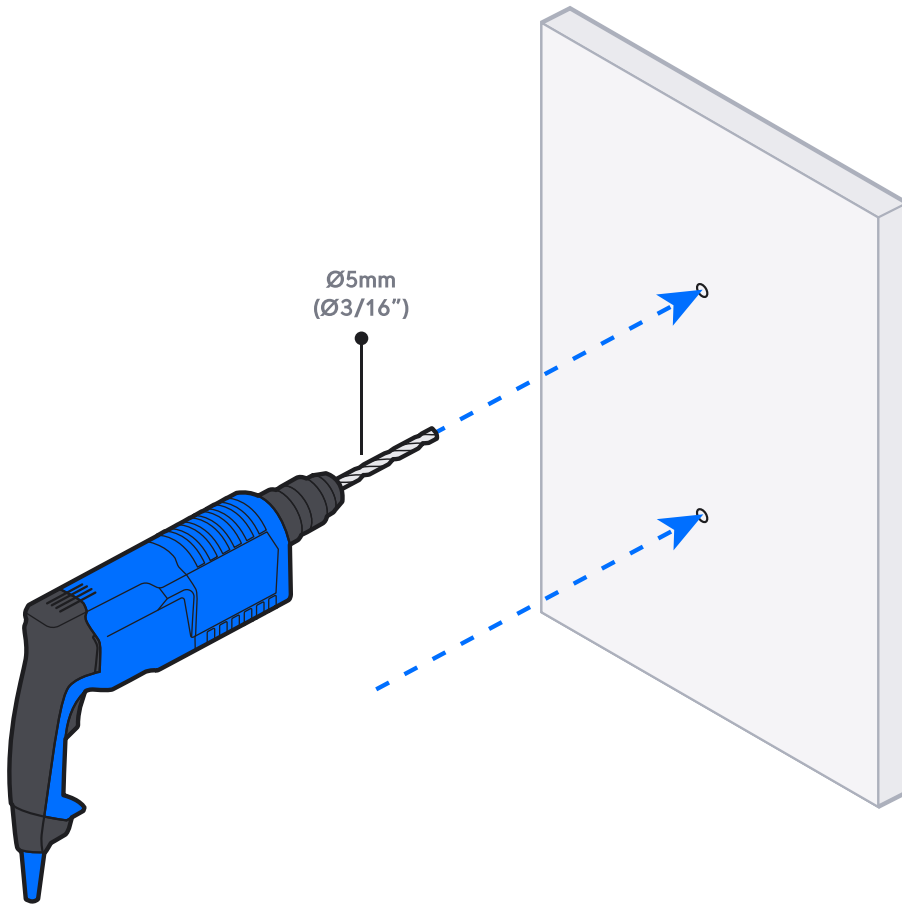


1x

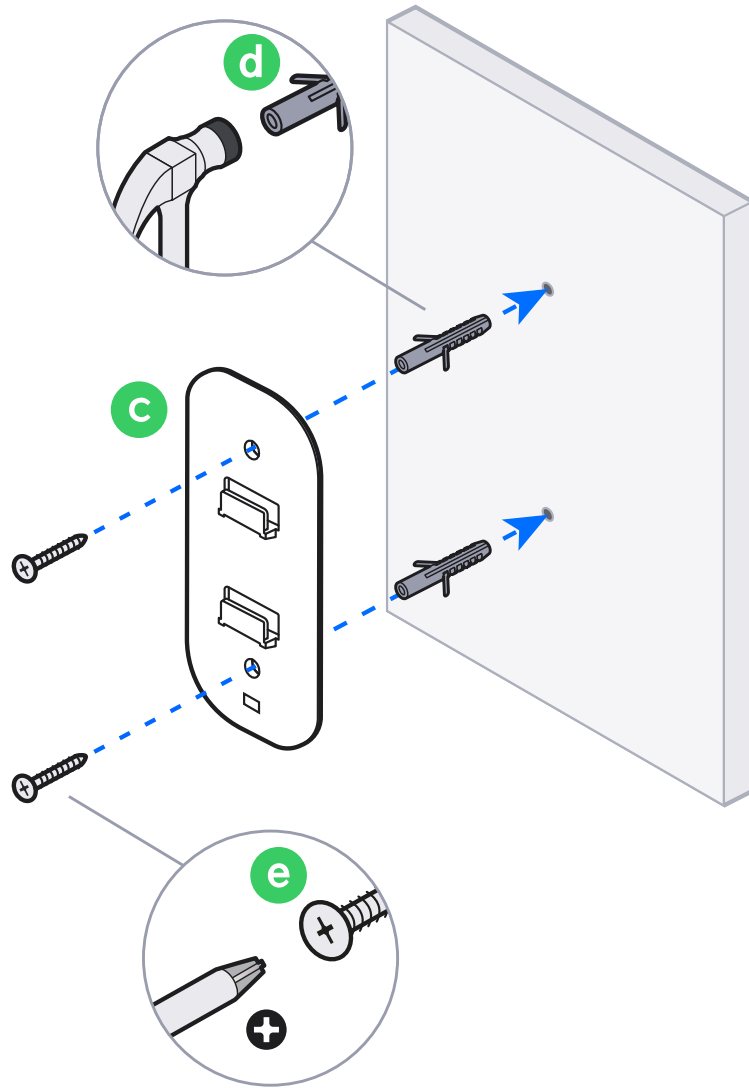
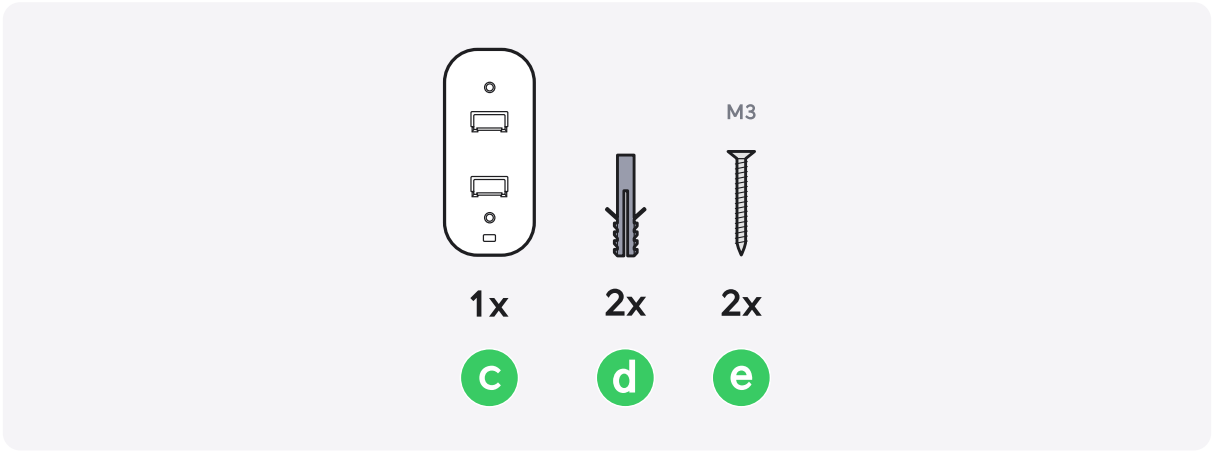




2



3



4



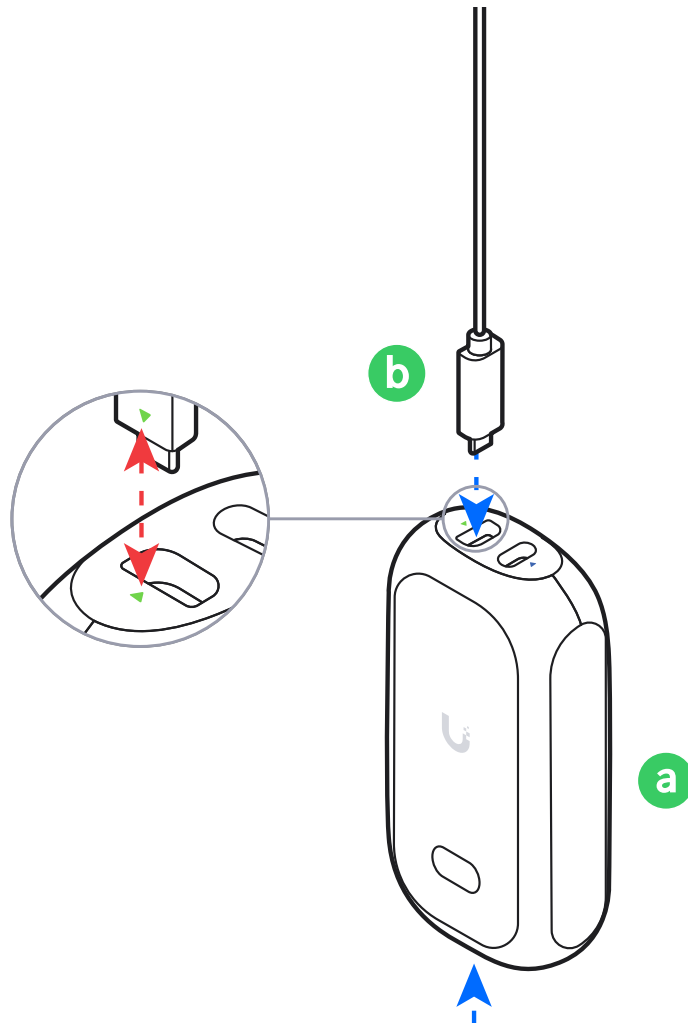
1x

a

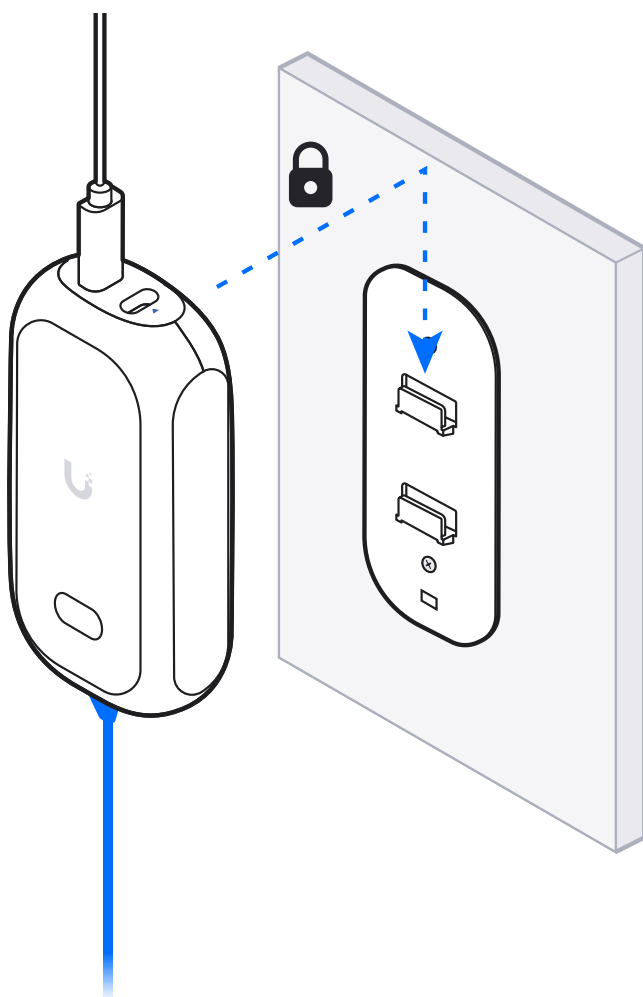


1x

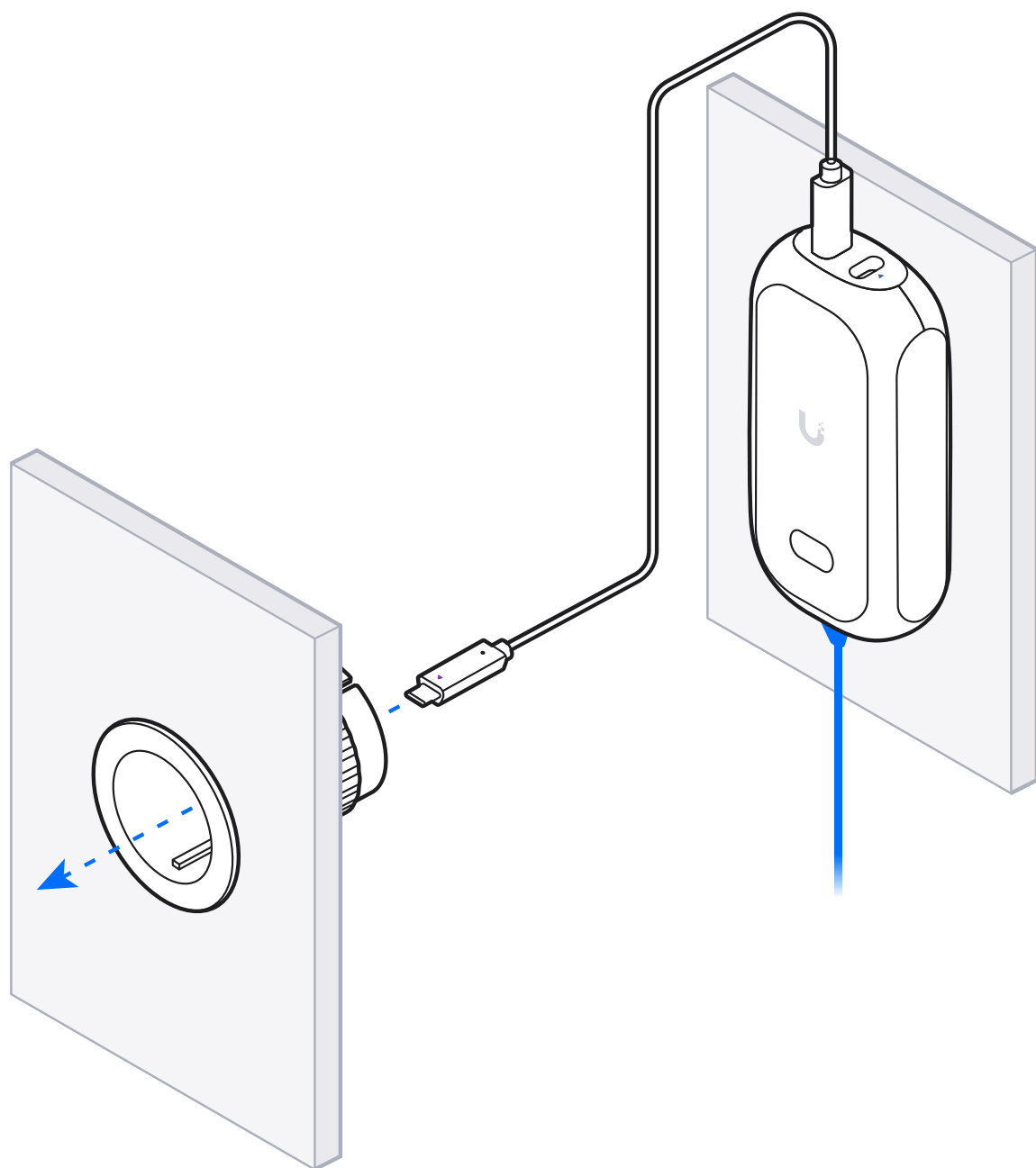
b



5

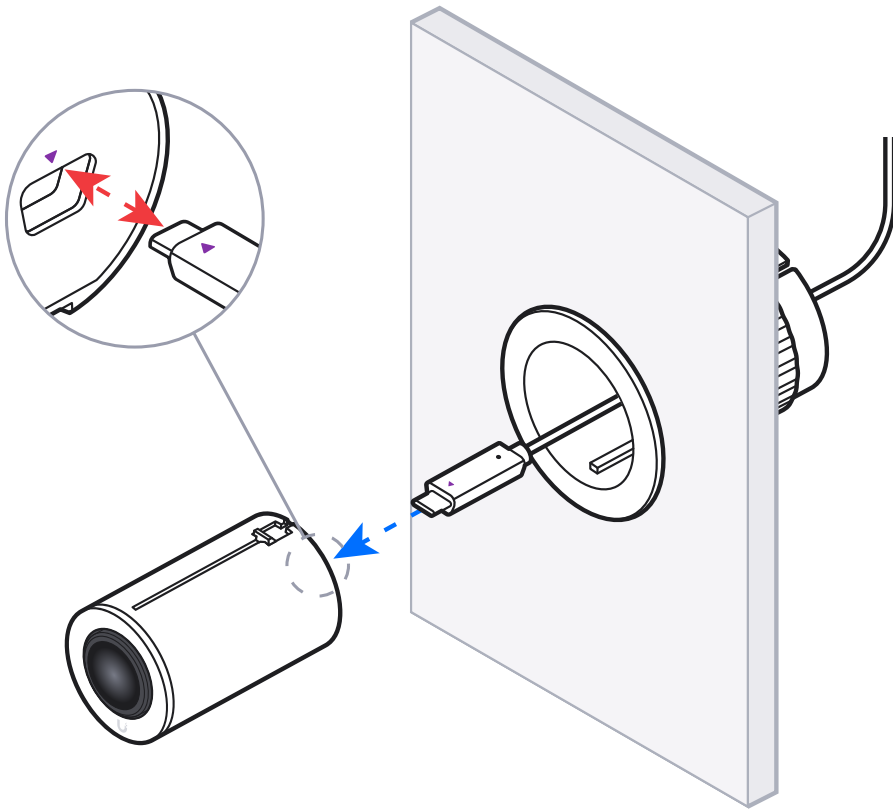


6

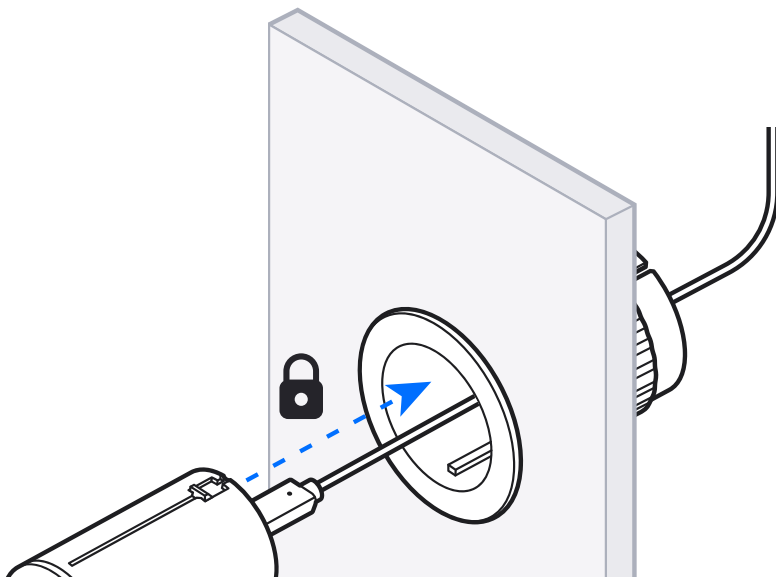


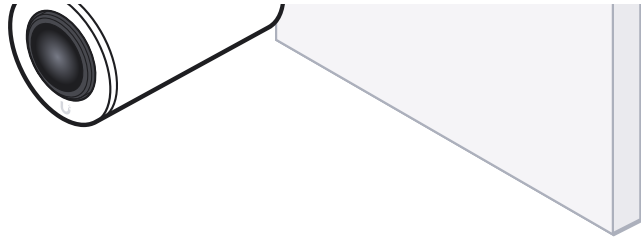
7

-



8

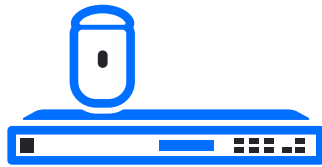




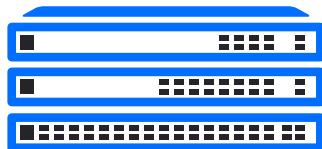
9



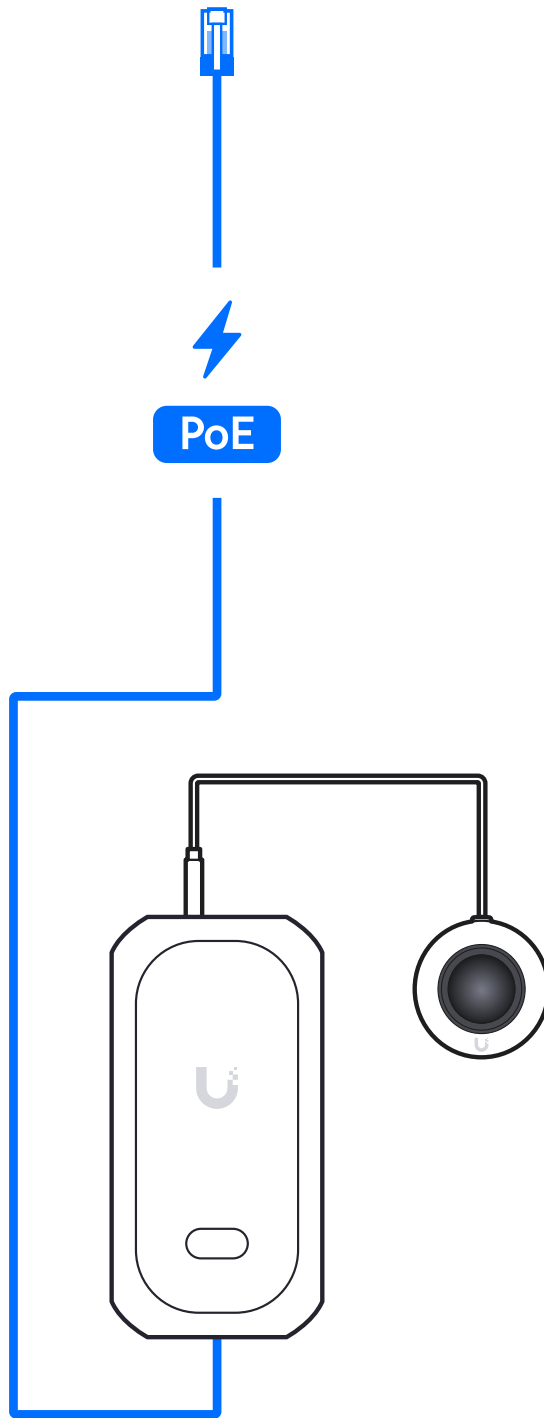
Internet



UniFi Gateway
Console



Switching

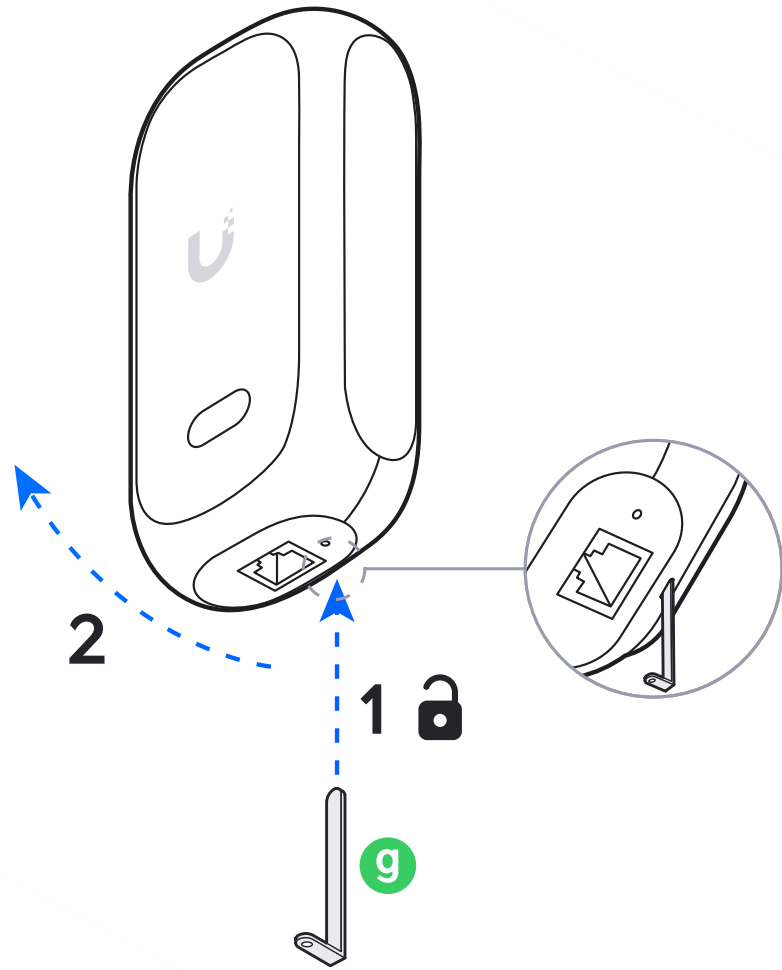


10



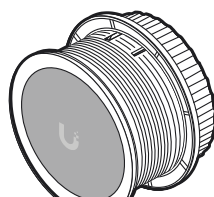
1x





AI Theta Audio

[Buy >](#)





If you need further assistance, visit our [Help Center](#) or contact [Ubiquiti Support](#).

©2023 Ubiquiti Inc. All rights reserved. Ubiquiti, Ubiquiti Networks, the Ubiquiti U logo, UniFi, UniFi Protect, and Theta are trademarks or registered trademarks of Ubiquiti Inc. in the United States and in other countries. All other trademarks are the property of their respective owners. App Store is a service mark of Apple Inc., registered in the U.S. and other countries. Android, Google, Google Play, the Google Play logo are trademarks of Google LLC. All other trademarks are the property of their respective owners.