



- DE Montageanleitung
- FR Consignes d'installation
- NL Montagevoorschrift
- ES Instrucciones de montaje
- IT Istruzioni di montaggio
- PT Manual de montagem
- EL Οδηγίες συναρμολόγησης
- SV Montageföreskrifter
- PL Instrukcja montażu
- RU Инструкция по сборке и установке
- CS Návod k montáži
- SK Návod na montáž
- HU Szerelési előírás
- TR Montaj kılavuzu
- RO Instrucțiuni de montaj
- UK Вказівки по монтажі
- BG Инструкции за монтаж
- JA 設置の説明書
- ZH 装配说明

Mounting Instructions
DCM1-44



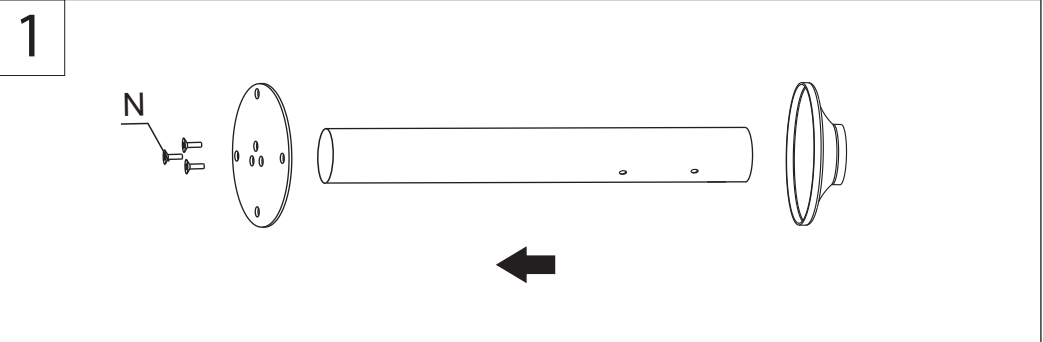
Max. VESA 400 x 400
Max. weight: 30kg / 66lbs

C		M8x16mm Cross round screw	x4
D		M6x20mm Cross round screw	x4
E		Φ6x16 washer	x8
F		Φ8 washer	x4
G		Φ6 plastic spacer	x4
H		M6 Nut	x6
I		M6x70mm Carriage Bolts	x2
J		M5 Fastening screw	x1
K		2.5mm Allen Key	x1
L		M6 Fastening screw	x1
M		M6 Screw nut	x2
N		M6x16mm flat head screw	x3
O		3mm Allen Key	x1

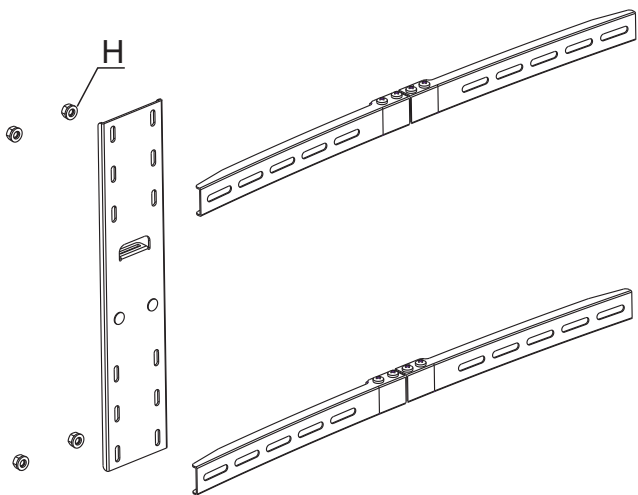
Screw spare parts list

No.	Description	Specifications Model	Qty.
1		Projector wall plate	x1
2		Connection fittings	x1
3		Plastic cover	x1
4		Panel	x1
5		The connecting arm 1	x2
6		Rubber ring	x2
7		Wall plate	x1
A		M6x55mm Wallboard screw	x4
B		Φ10 Plastic screw	x4

Instruction of installation operation



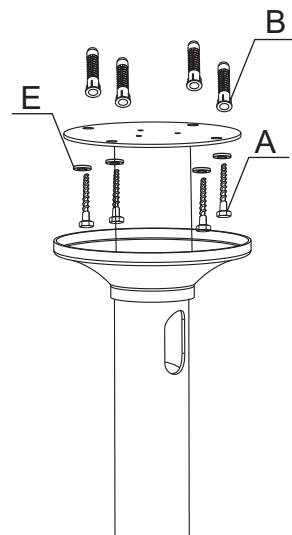
2



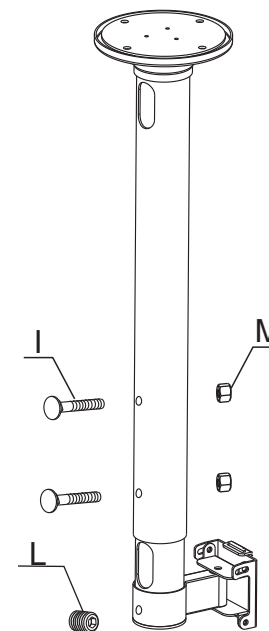
The connecting arm and the panel are fixed by a nut(H)

3

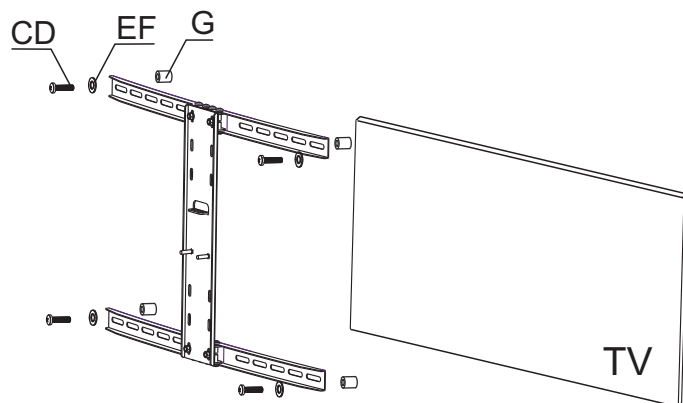
Using the bubble level to ensure the wall plate is level, Pre-drill 4 holes with a 8mm bit to 40mm deep. Insert wall anchors into the holes, then using long bolts to mount the wall to studs.



4

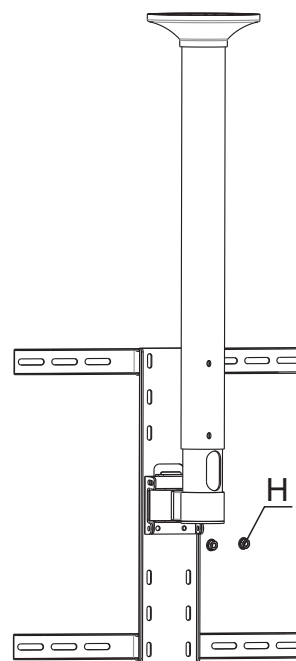


5

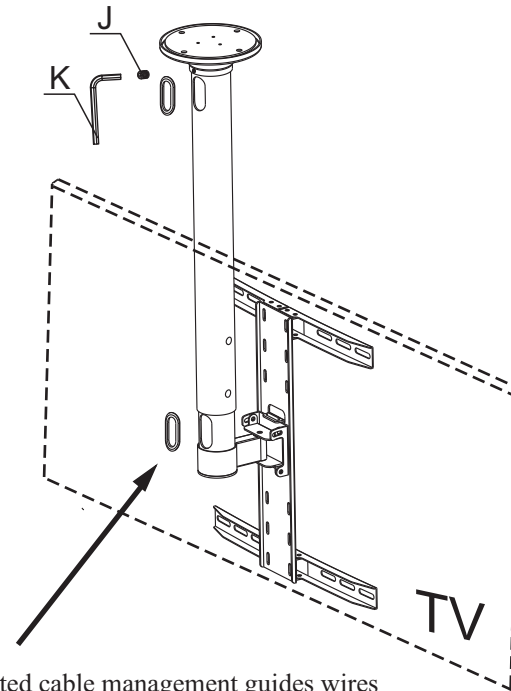


Using Long bolt(CorD), washer(EorF) and Spacer (G) to mount TV set to the aluminum siding .

6



7



Integrated cable management guides wires