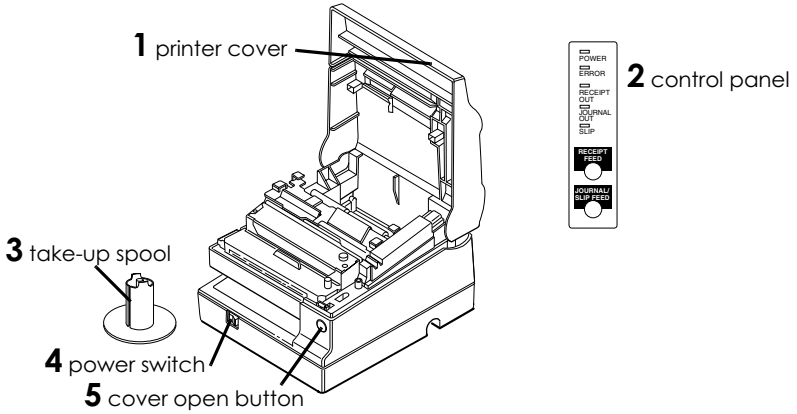


TM-U950

**User's Manual / Bedienungsanleitung
Gebruikershandleiding / Manuel d'utilisation
Manual do utilizador / Manual del usuario
Manuale dell'utente**

Printer Parts



DIP Switch Tables

Serial interface

SW	Function	ON	OFF
1-1	Data word length	7 bits	8 bits
1-2	Parity	Enabled	Disabled
1-3	Parity selection	Even	Odd
1-4 ~ 1-5	Transmission speed	(see table below)	
1-6	Display module connection	Connected	Not connected
1-7	Data receive error	Ignored	Prints "?"
1-8	Handshaking	XON/XOFF	DTR/DSR

Transmission speed

Speed	1-4	1-5
1200	ON	ON
2400	OFF	ON
4800	ON	OFF
9600	OFF	OFF

SW	Function	ON	OFF
2-1	Auto line feed	Always enabled	Always disabled
2-2	Receive buffer	32 bytes	2048 bytes
2-3	Font selection (default)	9 × 9	7 × 9
2-4	Carriage speed default	Low	High
2-5	Handshaking (BUSY)	Receive buffer full	Offline or receive buffer full
2-6	Internal use	Fixed	—
2-7	I/F pin 6 reset	Enabled	Disabled
2-8	I/F pin 25 reset	Enabled	Disabled

Parallel interface

SW	Function	ON	OFF
1-1 ~ 1-5	Undefined	—	—
1-6	Internal use	—	Fixed
1-7 ~ 1-8	Undefined	—	—

SW	Function	ON	OFF
2-1	Auto line feed	Always enabled	Always disabled
2-2	Receive buffer	32 bytes	2048 bytes
2-3	Font selection (default)	9 × 9	7 × 9
2-4	Carriage speed default	Low	High
2-5	Handshaking (BUSY)	Receive buffer full	Offline or receive buffer full
2-6	Internal use	Fixed	—
2-7	Undefined	—	—
2-8	Internal use	Fixed	—

All rights reserved. No part of this publication may be reproduced, stored in a retrieval system, or transmitted in any form or by any means, electronic, mechanical, photocopying, recording, or otherwise, without the prior written permission of Seiko Epson Corporation. No patent liability is assumed with respect to the use of the information contained herein. While every precaution has been taken in the preparation of this book, Seiko Epson Corporation assumes no responsibility for errors or omissions. Neither is any liability assumed for damages resulting from the use of the information contained herein.

Neither Seiko Epson Corporation nor its affiliates shall be liable to the purchaser of this product or third parties for damages, losses, costs, or expenses incurred by purchaser or third parties as a result of: accident, misuse, or abuse of this product or unauthorized modifications, repairs, or alterations to this product, or (excluding the U.S.) failure to strictly comply with Seiko Epson Corporation's operating and maintenance instructions.

Seiko Epson Corporation shall not be liable against any damages or problems arising from the use of any options or any consumable products other than those designated as Original Epson Products or Epson Approved Products by Seiko Epson Corporation.

EPSON and ESC/POS are registered trademarks of Seiko Epson Corporation.

NOTICE: The contents of this manual are subject to change without notice.

Copyright © 1995, 1998, 2001 by Seiko Epson Corporation, Nagano, Japan.

EMC and Safety Standards Applied

Product Name: TM-U950/U950P

IEC 61000-4-5

Model Name: M62UA/M114A

IEC 61000-4-6

The following standards are applied only to the printers that are so labeled. (EMC is tested using the EPSON PS-170 power supply.)

IEC 61000-4-8

IEC 61000-4-11

Directive 90/384/EEC EN 45501

Europe: CE marking
Safety: EN 60950

North America: EMI: FCC/ICES-003 Class A
Safety: UL 1950/CSA C22.2 No. 950

Japan: EMC: VCCI Class A

Oceania: EMC: AS/NZS 3548

WARNING

The connection of a non-shielded printer interface cable to this printer will invalidate the EMC standards of this device. You are cautioned that changes or modifications not expressly approved by SEIKO EPSON Corporation could void your authority to operate the equipment.

CE Marking

The printer conforms to the following Directives and Norms:

Directive 89/336/EEC EN 55022 Class B
EN 55024
IEC 61000-4-2
IEC 61000-4-3
IEC 61000-4-4

FCC Compliance Statement For American Users

This equipment has been tested and found to comply with the limits for a Class A digital device, pursuant to Part 15 of the FCC Rules. These limits are designed to provide reasonable protection against harmful interference when the equipment is operated in a commercial environment.

This equipment generates, uses, and can radiate radio frequency energy and, if not installed and used in accordance with the instruction manual, may cause harmful interference to radio communications.

Operation of this equipment in a residential area is likely to cause harmful interference, in which case the user will be required to correct the interference at his own expense.

FOR CANADIAN USERS

This Class A digital apparatus complies with Canadian ICES-003.

Safety Precautions

This section presents important information intended to ensure safe and effective use of this product. Please read this section carefully and store it in an accessible location.



WARNING:

Shut down your equipment immediately if it produces smoke, a strange odor, or unusual noise. Continued use may lead to fire. Immediately unplug the equipment and contact your dealer or a SEIKO EPSON service center for advice.

Never attempt to repair this product yourself. Improper repair work can be dangerous.

Never disassemble or modify this product. Tampering with this product may result in injury or fire.

Be sure to use the specified power source. Connection to an improper power source may cause fire.

Do not allow foreign matter to fall into the equipment. Penetration by foreign objects may lead to fire.

If water or other liquid spills into this equipment, unplug the power cord immediately, and then contact your dealer or a SEIKO EPSON service center for advice. Continued usage may lead to fire.



CAUTION:

Do not connect cables in ways other than those mentioned in this manual. Different connections may cause equipment damage and burning.

Be sure to set this equipment on a firm, stable, horizontal surface. The product may break or cause injury if it falls.

Do not use in locations subject to high humidity or dust levels. Excessive humidity and dust may cause equipment damage or fire.

Do not place heavy objects on top of this product. Never stand or lean on this product. Equipment may fall or collapse, causing breakage and possible injury.

To ensure safety, unplug this product before leaving it unused for an extended period.

Caution Labels



WARNING:

Do not connect a telephone line to the drawer kick-out connector or the display module connector; otherwise, the printer and the telephone line may be damaged.



CAUTION:

The print head is hot.

Unpacking

The following items are included with the standard specification printer. If any item is damaged, contact your dealer.

- Printer
- Paper rolls (2)
- Ribbon cassette
- Power switch cover
- Take-up spool
- Caution label
- Hexagonal lock screws (2) (only for the serial interface)

Control Panel

RECEIPT FEED button

Press to feed receipt paper; hold down to feed continuously.

JOURNAL/SLIP FEED button

In roll paper mode, feeds the journal roll. In slip mode (when the SLIP LED is on or flashing and slip paper is inserted), feeds slip paper.

POWER LED

On when the printer is on.

ERROR LED

Indicates an error.

RECEIPT OUT LED

Indicates a receipt paper near end or out.

JOURNAL OUT LED

Indicates a journal roll paper near end or out.

SLIP LED

Indicates slip mode. Flashes while waiting for a slip to be inserted or removed.

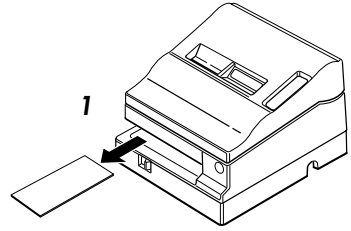
Removing the Transportation Damper

The printer is protected during shipping by a transportation damper that you must remove before turning on the printer.

Pull the damper out, as shown in illustration 1.

Note:

Before shipping the printer, reinstall the transportation damper.



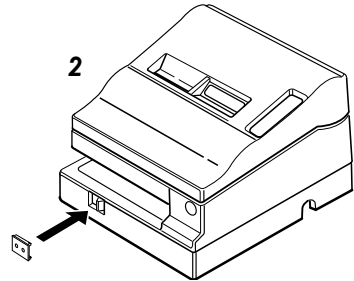
Using the Power Switch Cover



WARNING:

If an accident occurs with the power switch cover attached, unplug the power cord immediately. Continued use may cause fire.

The enclosed power switch cover ensures that the power switch is not pressed accidentally. To use this cover, install it as shown in illustration 2.

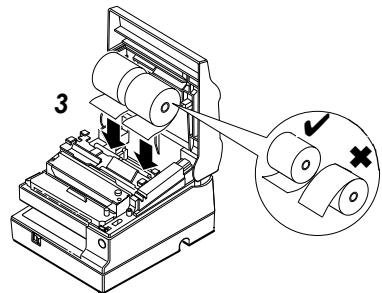


Installing the Paper Rolls

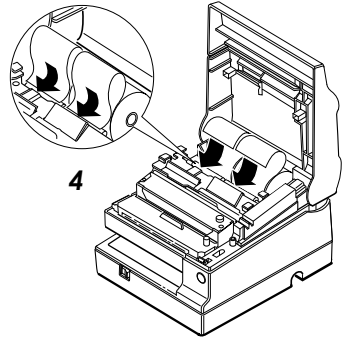
Note:

Use only paper rolls that meet the specifications.

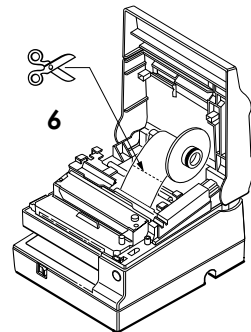
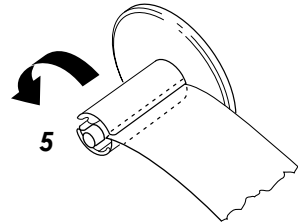
1. Make sure the leading edge of the paper is straight.
2. Turn on the printer and open the printer cover.
3. Insert paper rolls on both the receipt and journal sides of the printer, as shown in illustration 3. (The journal roll is on the right in this illustration.)



4. For each roll, insert the tip of the paper into the paper inlet and push it in until it is automatically detected and fed into the printer. See illustration 4.
5. Tear off the receipt paper on the cutter. If the paper was not fed far enough, press the RECEIPT FEED button to feed additional paper.



6. Insert the tip of the journal paper into the groove in the take-up spool and rotate the spool two or three times to secure the paper. See illustration 5. If not enough paper was fed, press JOURNAL/SLIP FEED to feed more.
7. Install the take-up spool and close the printer cover.
8. To remove the journal paper roll, first lift the take-up spool and cut the paper. Then remove the take-up spool. See illustration 6.
9. For either a journal or receipt paper roll, next press the release lever (marked PRESS) on the appropriate side of the printer, pull out the paper, and remove the roll.



Inserting Slip Paper

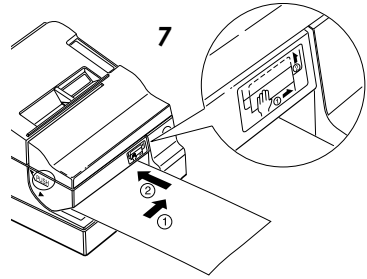
Notes:

Do not use wrinkled, folded, or curled paper.

Use only slip paper that matches the printer's specifications.

To prevent paper jams, install both paper rolls in the printer even if you plan to print only on slip paper.

1. When the SLIP LED flashes, insert slip paper, using the right edge of the slip paper inlet as a guide. See illustration 7.
2. When the printer detects the paper, it automatically draws it in and begins printing.

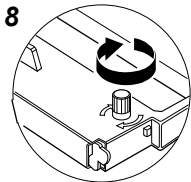
**CAUTION:**

Be sure to put the caution label exactly in the position shown. If you put it another place, such as over the slip paper inlet, the printer may be damaged.

Installing a Ribbon

Use the EPSON ERC-31. The use of any ribbon cassettes other than those approved by EPSON may damage the printer and will void the warranty.

1. Turn the printer on and open the ribbon cover.
2. Turn the ribbon cassette's knob 2 or 3 times in the direction of the arrow in illustration 8 to take up any slack.
3. Insert the ribbon in the printer and rotate the cassette's knob 2 or 3 more times to place the ribbon in the correct position.
4. Make sure the ribbon is installed in front of the print head without wrinkles or creases.
5. To remove the ribbon cassette, grasp the ribbon cassette's tab and pull it out of the printer.



Using the MICR Reader (Option)

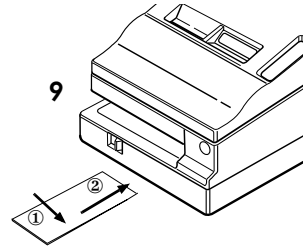
The optional, factory-installed magnetic ink character recognition (MICR) reader lets the printer read MICR ink on personal checks.

**CAUTION:**

To prevent paper jams, be sure both paper rolls are installed. Do not insert checks with staples in them; do not insert wrinkled checks.

1. The SLIP light flashes.

2. Insert the check face down, with the MICR characters on the right-hand side.
3. Insert the check straight into the inlet, using the right edge of the inlet as a guide, as far as the check will go. See illustration 9.
4. The printer starts drawing the check in. Let go of the check immediately. The SLIP LED goes from blinking to on.
5. When MICR reading is complete, the printer ejects the check and the SLIP LED starts blinking again.
6. Remove the check by pulling it straight out (not at an angle). The SLIP LED goes off.



Cleaning the Optional MICR Mechanism

Clean the MICR head and MICR roller every 6000 passes or once a month.

Note:

If you encounter frequent MICR reading errors, use the procedure below.

For the MICR head

Use a moistened cleaning sheet, such as PRESAT brand (KIC) "Check Reader Cleaning Card" or an equivalent commercially available cleaning sheet.

For the MICR feed roller

Use an adhesive cleaning sheet available from EPSON. Contact your dealer.

Cleaning procedure

Use this procedure for both cleaning sheets.

1. Load both paper rolls into the printer; then turn off the power.
2. Open the front cover and turn the power back on while holding down the JOURNAL/SLIP button.
3. Press the JOURNAL/SLIP button 3 times.
4. Close the front cover (the SLIP LED flashes).
5. Follow the instructions on the cleaning sheet. You will insert the cleaning sheet the same way you insert a normal check.
6. When the sheet is ejected, remove it from the printer; then turn off the power.

Troubleshooting

Lights on the control panel do not come on

Check the power cable and power outlet. If the outlet is controlled by a switch or timer, use another outlet.

ERROR light is on (not flashing) with no printing

If RECEIPT OUT or JOURNAL OUT is **on**, a paper roll is not installed or nearly out. If these LEDs are **off**, the cover is not closed properly.

ERROR light is flashing with no printing (and no paper jam)

The print head may be overheated. Printing resumes after the print head cools. If this does not occur, turn the printer off for 10 seconds and then back on. If there is still a problem, contact a qualified servicer.

The printer appears to be printing, but nothing is printed

Check ribbon installation and ribbon wear.

A line of dots is missing

The print head may be damaged. Stop printing and contact a qualified servicer.

Removing Jammed Paper

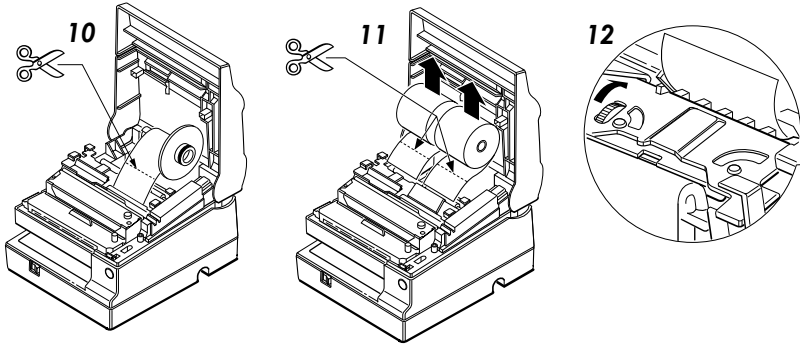


CAUTION:

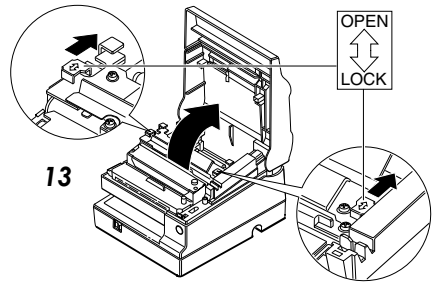
Do not touch the print head because it can be very hot after printing.

1. Turn the printer off and open the printer cover.

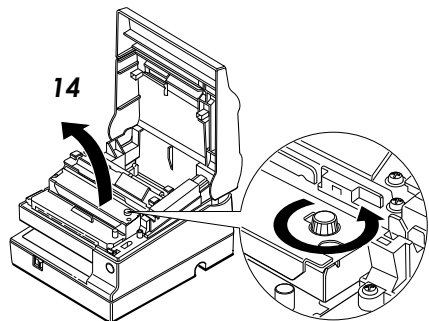
2. For a journal roll paper jam, cut with scissors or a knife, as shown in illustration 10, and remove the take-up spool.
3. Cut the paper from the paper rolls as shown in illustration 11.
4. If paper is caught in the automatic cutter, open the cutter blade by turning the gear in the direction shown in illustration 12.



5. Move the OPEN ↔ LOCK lever on each side of the printer in the direction shown in illustration 13; the cutter opens automatically.
6. Pull the paper out gently. If it tears, remove any pieces.



7. If necessary, remove the print head cover. Loosen the screw on the right as shown in illustration 14. (Replace it by sliding the tab in the slot, and fasten the screw.)
8. After clearing all paper, close and lock the cutter unit (lock both locks), and reinstall the paper rolls.



TM-U950 Specifications

Printing method	Serial impact dot matrix
Head wire configuration	9-pin vertical line, wire pitch 0.353 mm {1/72"}, 0.29 mm {0.01"} wire diameter
Printing direction	Bidirectional, minimum distance printing
Printing width	Roll paper: 61.1 mm {2.41"}; slip paper: 135.6 mm {5.34"}
Characters per line (default)	9 × 9: roll paper = 30; slip paper = 66 7 × 9: roll paper = 40; slip paper = 88
Character spacing (default)	9 × 9: 3 dots (half dots); 7 × 9: 2 dots (half dots)
Print speed	High-speed — 9 × 9: 233 characters/second 7 × 9: 311 characters/second Low-speed — 9 × 9: 200 characters/second 7 × 9: 267 characters/second
Paper feed speed	Approx. 60.3 ms/line (4.23 mm {1/6"} feed); Approx. 86.36 mm/second {3.4"/second} continuous feed
Line spacing (default)	4.23 mm {1/6"}
Number of characters	Alphanumeric characters: 95; International characters: 32 Extended graphics: 128 × 9 pages (including space pages)
Character structure	9 × 9 or 7 × 9
Paper roll (single-ply)	Size: Width: 69.5 ± 0.5 mm {2.74 ± 0.02"} Maximum outside diameter: 83 mm {3.27"} Paper roll spool inside diameter: 10 mm {0.39"} or more
Slip paper	Normal, carbon-copy, and pressure-sensitive
Number of copies for slip	Original + 4 (at 20 to 40°C {68 to 104°F}) Original + 1 to 3 copies (at 5 to 40°C {41 to 104°F})
Total slip thickness	0.09 to 0.36 mm {0.0035 to 0.0141"}
Ribbon cassette	ERC-31
Buffer size	32 bytes or 2 KB, depending on the DIP switch setting
Supply voltage	+24 VDC ± 10%
Current consumption (at 24V)	Printing receipt and journal paper (40 columns): Mean: Approx. 1.8 A (alphanumeric characters) Peak: Approximately 8.0 A Feeding slip paper to the print start position or MICR reading: Mean: Approx. 2.3 A for approx. 1.4 seconds
Life	Mechanism: 7,500,000 lines Print head: 150 million characters Ribbon: 7,000,000 characters MICR: 240,000 passes
MTBF	180,000 hours
MCBF	18,000,000 lines
Temperature	Operating: 5 to 40°C {41 to 104°F} Storage: -10 to 50°C {14 to 122°F}, except for ribbon
Humidity	Operating: 30 to 80% RH Storage: 30 to 90% RH
Overall dimensions	194.5 × 251 × 298 mm {7.7 × 9.9 × 11.7"} (H × W × D)
Weight (mass)	Approximately 5.6 kg {12.3 lb}

TM-U950

Bedienungsanleitung

DIP-Schaltereinstellungen

Informationen zu den DIP-Schaltereinstellungen sind auf der vorderen Innenseite des Umschlags dieser Anleitung zu finden.

Abbildungen

Dieses Handbuch ist in 7 Abschnitte unterteilt, einen pro Sprache. Die meisten Abbildungen sind im ersten Abschnitt zu finden und werden nicht wiederholt. Jeder Abschnitt enthält jedoch Seitenverweise auf die Abbildungen.

Druckerkomponenten

1. Druckerabdeckung
2. Bedienfeld
3. Aufwickelspule
4. Ein-/Ausschalter
5. Taste zum Öffnen der Abdeckung

Alle Rechte vorbehalten. Diese Veröffentlichung darf ohne ausdrückliche schriftliche Genehmigung der Seiko Epson Corporation nicht reproduziert, in einem Abrufsystem gespeichert oder in beliebiger Form und auf jedwede Weise übermittelt werden, weder durch Fotokopieren, Aufzeichnen, noch auf elektronische, mechanische oder sonstige Weise. Für die hierin enthaltenen Informationen wird keine Patenthaftung übernommen. Obgleich bei der Zusammenstellung dieser Anleitung mit Sorgfalt vorgegangen wurde, übernimmt die Seiko Epson Corporation keine Verantwortung für Fehler und Auslassungen. Zudem wird keine Haftung übernommen für Schäden, die aus der Verwendung der hierin enthaltenen Informationen entstehen.

Weder die Seiko Epson Corporation noch ihre Tochtergesellschaften sind dem Käufer dieses Produkts oder Drittparteien gegenüber für Schäden, Verluste, Kosten oder Ausgaben haftbar, die für den Käufer oder etwaige Drittparteien aufgrund von Unfall, Mißbrauch oder Zweckentfremdung dieses Produkts, nicht autorisierten Modifikationen, Reparaturen oder Produktumbauten sowie (mit Ausnahme USA) aufgrund des Versäumnisses anfallen, die Bedienungs- und Wartungsanleitungen der Seiko Epson Corporation genau einzuhalten.

Die Seiko Epson Corporation ist nicht haftbar für Schäden oder Probleme, die bei Verwendung von Optionen oder Verschleißteilen auftreten, die nicht als Original-Epson-Produkte oder von der Seiko Epson Corporation zugelassene Epson Produkte gelten.

EPSON und ESC/POS sind eingetragene Warenzeichen der Seiko Epson Corporation.

HINWEIS: Änderungen am Inhalt dieser Anleitung ohne Vorankündigung vorbehalten.

Angewendete EMS- und Sicherheitsnormen

Produktname: TM-U950/U950P

Typenname: M62UA/M114A

Die folgenden Normen gelten nur für entsprechend gekennzeichnete Drucker. (EMC wurde mit der Stromversorgung EPSON PS-170 geprüft.)

Europa: CE-Plakette

Sicherheit: EN 60950

Nordamerika: EMI: FCC / ICES-003 Klasse A

Sicherheit: UL 1950 / CSA C22.2
No. 950

Japan: EMC: VCCI Klasse A

Ozeanien: EMC: AS/NZS 3548

CE-Zeichen

Der Drucker entspricht den folgenden Vorschriften und Normen:

Direktive 89/336/EEC EN 55022 Klasse B
EN 55024

IEC 61000-4-2

IEC 61000-4-3

IEC 61000-4-4

IEC 61000-4-5

IEC 61000-4-6

IEC 61000-4-8

IEC 61000-4-11

Direktive 90/384/EEC EN 45501

WARNUNG

Die EMC-Normen für dieses Gerät werden ungültig, wenn ein nicht abgeschirmtes Drucker-Schnittstellenkabel an den Drucker angeschlossen wird. Bitte beachten Sie, dass durch Änderungen oder Modifikationen, die nicht ausdrücklich von der SEIKO EPSON Corporation genehmigt wurden, die Bedienung des Geräts unter Umständen unzulässig wird.

GERÄUSCHPEGEL

Gemäß der Dritten Verordnung zum Gerätesicherheitsgesetz (Maschinenlärminformations-Verordnung-3. GSGV) ist der arbeitsplatzbezogene Geräusch-Emissionswert kleiner als 70 dB(A) (basierend auf ISO 7779).

Sicherheitshinweise

Dieser Abschnitt enthält wichtige Informationen für die sichere und effektive Verwendung dieses Produkts. Lesen Sie diesen Abschnitt sorgfältig durch und bewahren Sie ihn gut zugänglich auf.



WARNUNG:

Schalten Sie das Gerät sofort aus, wenn Sie Rauch bzw. ungewöhnliche Gerüche oder Geräusche bemerken. Wenn das Gerät weiter verwendet wird, kann dies zu einem Brand führen. Ziehen Sie den Netzstecker des Gerätes sofort aus der Netzsteckdose und benachrichtigen Sie Ihren Händler oder ein SEIKO EPSON Service Center.

Versuchen Sie niemals, dieses Produkt eigenständig zu reparieren. Unsachgemäße Reparaturarbeiten können gefährlich sein.

Zerlegen oder modifizieren Sie dieses Produkt nicht. Unsachgemäße Arbeiten an diesem Produkt können zu Verletzungen oder einem Brand führen.

Stellen Sie sicher, dass Sie die für dieses Produkt geeignete Stromquelle verwenden. Anschluss an andere Stromquellen können zu einem Brand führen.

Vermeiden Sie das Eindringen von Fremdoobjekten in dieses Produkt. Das Eindringen von Fremdoobjekten kann zu einem Brand führen.

Wenn Wasser oder andere Flüssigkeiten in dieses Produkt eindringen, ziehen Sie sofort den Netzstecker heraus und benachrichtigen Sie einen Fachhändler oder Ihr SEIKO EPSON Service Center. Wenn das Gerät weiter verwendet wird, kann dies einen Brand verursachen.

**VORSICHT:**

Schließen Sie Kabel nur auf die in diesem Handbuch beschriebene Weise an. Andere Kabelverbindungen können das Gerät beschädigen und einen Brand verursachen.

Stellen Sie dieses Gerät unbedingt auf einer festen, stabilen, horizontalen Fläche auf. Das Produkt kann beim Fallen beschädigt werden oder Verletzungen verursachen.

Verwenden Sie das Gerät nicht an Orten mit hohem Feuchtigkeits- oder Staubgehalt. Eine übermäßige Feuchtigkeits- oder Staubbildung kann das Gerät beschädigen oder einen Brand verursachen.

Stellen Sie keine schweren Gegenstände auf dieses Produkt. Stellen Sie sich nie auf das Produkt und lehnen Sie sich nicht dagegen. Das Gerät kann fallen oder beschädigt werden und dabei Gegenstände beschädigen oder Personen verletzen.

Aus Sicherheitsgründen ziehen Sie bitte den Netzstecker aus der Netzsteckdose wenn Sie beabsichtigen, das Gerät über einen längeren Zeitraum nicht zu verwenden.

Warnschilder**WARNUNG:**

Keine Telefonleitung mit dem Anschluss der Kassenschublade oder dem Anschluss der Kundenanzeige verbinden, da sonst der Drucker und die Telefonleitung beschädigt werden könnten.

**VORSICHT:**

Der Druckkopf ist heiß.

Auspacken

Folgende Teile sind im Lieferumfang des Standarddruckers enthalten. Wenn ein Teil beschädigt ist, wenden Sie sich bitte an Ihren Händler.

- Drucker
- Papierrollen (2 Stück)
- Farbbandkassette
- Ein-/Ausschalterabdeckung
- Aufwickelspule
- Vorsicht-Aufkleber
- Sechskantabstandbolzen (2 Stück) (nur für die serielle Schnittstelle)

Bedienfeld

Bonvorschubtase (RECEIPT FEED)

Drücken Sie diese Taste, um Bonrollenpapier vorzuschieben; halten Sie die Taste gedrückt, um das Papier fortlaufend vorzuschieben.

Journal-/Einzelblattvorschubtaste (JOURNAL/SLIP FEED)

Im Rollenpapiermodus wird mit dieser Taste Journalrollenpapier vorgeschoben. Im Einzelblattmodus (wenn die Anzeige (SLIP LED) leuchtet oder blinkt und ein Blatt Papier eingelegt ist) wird das Blatt Papier eingezogen.

Betriebsanzeige (POWER LED)

Leuchtet, wenn der Drucker eingeschaltet ist.

Fehleranzeige (ERROR LED)

Weist auf einen Fehler hin.

Anzeige Bonrollenende (RECEIPT OUT LED)

Weist darauf hin, dass die Bonrolle zu Ende geht.

Anzeige Journalrollenende (JOURNAL OUT LED)

Weist darauf hin, dass die Journalrolle zu Ende geht.

Einzelblattanzeige (SLIP LED)

Zeigt an das der Einzelblattmodus aktiv ist. Blinkt, wenn auf das Einlegen oder Herausnehmen eines Einzelblattes gewartet wird.

Entfernen der Transportsicherung

Der Drucker ist zum Schutz gegen Versandschäden mit einer Transportsicherung ausgestattet, die vor dem Einschalten des Druckers entfernt werden muss.

Ziehen Sie die Sicherung heraus, wie in **Abbildung 1** auf Seite 4 gezeigt.

Hinweis:

Setzen Sie die Transportsicherung vor einem Versand wieder ein.

Verwenden der Ein-/Ausschalterabdeckung



WARNUNG:

Wenn bei angebrachter Ein-/Ausschalterabdeckung ein Unfall auftritt, sofort den Netzstecker ziehen. Bei Weiterverwendung des Geräts besteht Feuergefahr.

Die beiliegende Ein-/Ausschalterabdeckung verhindert, dass der Ein-/Ausschalter versehentlich betätigt wird. Wenn diese Abdeckung verwendet werden soll, gehen Sie bei der Installation gemäß **Abbildung 2** auf Seite 4 vor.

Einlegen der Papierrollen

Hinweis:

Verwenden Sie nur Papierrollen, die den angegebenen technischen Daten entsprechen.

1. Achten Sie darauf, dass die Vorderkante des Papiers gerade ist.
2. Schalten Sie den Drucker ein und öffnen Sie die Druckerabdeckung.
3. Legen Sie die Papierrollen auf der Quittungs- und der Journalseite des Druckers ein, wie in **Abbildung 3** auf Seite 4 gezeigt. (Die Journalrolle ist in dieser Abbildung auf der rechten Seite.)
4. Legen Sie für jede Rolle das vordere Ende des Papiers in den Papiereinzug ein und schieben Sie es soweit ein, bis es automatisch erkannt und in den Drucker eingezogen wird. Siehe **Abbildung 4** auf Seite 5.
5. Reißen Sie das Bonrollenpapier über die Abreisskante ab. Wenn das Papier nicht weit genug eingeführt wurde, drücken Sie die Bonvorschubtaste (RECEIPT FEED), um mehr Papier zuzuführen.

6. Legen Sie das vordere Ende des Journalpapiers in die Rille in der Aufwickelspule ein und drehen Sie die Rolle zwei- bis dreimal, um das Papier zu fixieren. Siehe Abbildung **5** auf Seite 5. Wenn nicht genügend Papier eingeführt wurde, drücken Sie die Journal-/Einzelblatttaste (JOURNAL/SLIP FEED), um mehr Papier zuzuführen.
7. Legen Sie die Aufwickelspule ein und schließen Sie die Druckerabdeckung.
8. Um die Journalpapierrolle zu entfernen, heben Sie zuerst die Aufwickelspule an und schneiden Sie das Papier ab. Nehmen Sie dann die Aufnahmerolle heraus. Siehe Abbildung **6** auf Seite 5.
9. Drücken Sie anschließend sowohl bei einer Journal- als auch einer Quittungspapierrolle den Freigabehebel (PRESS) auf der entsprechenden Seite des Druckers, ziehen Sie das Papier heraus und entfernen Sie die Rolle.

Einlegen von Einzelblättern

Hinweise:

Verwenden Sie kein verknittertes oder gefaltetes Papier.

Verwenden Sie nur Papier, das den technischen Daten des Druckers entspricht.

Legen Sie zur Vermeidung von Papierstaus beide Papierrollen ein, auch wenn Sie nur auf Einzelblättern drucken möchten.

1. Wenn die Einzelblattanzeige (SLIP LED) blinkt, legen Sie das Blatt ein. Verwenden Sie dabei die rechte Kante des Papierblatts als Führung. Siehe Abbildung **7** auf Seite 6.
2. Wenn der Drucker das Papier erkennt, zieht er es automatisch ein und beginnt mit dem Druckvorgang.



VORSICHT:

Achten Sie darauf, den Vorsicht-Aufkleber genau an der gezeigten Stelle anzubringen. Wenn Sie ihn an einer anderen Stelle anbringen, z. B. am Einzelblatteinzug, kann der Drucker beschädigt werden.

Einlegen eines Farbbandes

Verwenden Sie die Farbbandkassette EPSON ERC-31. Bei Verwendung einer nicht von EPSON genehmigten Farbbandkassette kann der Drucker beschädigt werden und die Garantie erlischt.

1. Schalten Sie den Drucker ein und öffnen Sie die Druckerabdeckung.
2. Drehen Sie den Knopf der Farbbandkassette zwei- bis dreimal in Pfeilrichtung wie in Abbildung 8 auf Seite 6 gezeigt, damit das Farbband gespannt ist.
3. Legen Sie das Farbband in den Drucker ein und drehen Sie den Knopf der Kassette zwei- bis dreimal, um das Farbband in die korrekte Position zu bringen.
4. Achten Sie darauf, dass das Farbband vor dem Druckkopf eingelegt und nicht verknittert ist.
5. Um die Farbbandkassette herauszunehmen, ziehen Sie sie am Griff der Kassette aus dem Drucker heraus.

Verwenden des MICR-Lesers (Option)

Mit dem gesondert erhältlichen, werkseitig installierten MICR-Leser (magnetische Tintenzeichenerkennung) kann der Drucker MICR-Tinte auf Privatschecks lesen.



VORSICHT:

Zur Vermeidung von Papierstaus müssen beide Papierrollen eingelegt sein. Keine Schecks mit Heftklammern und keine verknitterten Schecks einführen.

1. Daraufhin blinkt die Einzelblattanzeige (SLIP).
2. Legen Sie den Scheck mit der Vorderseite nach unten und den MICR-Zeichen auf der rechten Seite ein.
3. Führen Sie den Scheck gerade bis zum Anschlag in die Eintrittsöffnung und verwenden Sie dabei die rechte Kante der Öffnung als Führung. Siehe Abbildung 9 auf Seite 7.
4. Der Drucker beginnt, den Scheck einzuziehen. Lassen Sie den Scheck dann sofort los. Daraufhin leuchtet die Einzelblattanzeige (SLIP LED) stetig.
5. Wenn der MICR-Lesevorgang abgeschlossen ist, schiebt der Drucker den Scheck zurück und die Einzelblattanzeige (SLIP LED) blinkt wieder.

6. Entfernen Sie den Scheck, indem Sie ihn gerade (nicht schräg) herausziehen. Die Einzelblattanzeige (SLIP LED) erlischt.

Reinigen des MICR-Mechanismus

Reinigen Sie den MICR-Kopf und die MICR-Andruckrolle alle 6000 Durchgänge oder einmal pro Monat.

Hinweis:

Wenn Sie häufig MICR-Lesefehler feststellen wenden Sie die folgende Prozedur an.

MICR-Kopf

Verwenden Sie ein angefeuchtetes Reinigungsblatt, wie z. B. Marke PRESAT (KIC) "Check Reader Cleaning Card" oder ein gleichwertiges, im Handel erhältliches Reinigungsblatt.

MICR-Andruckrolle

Verwenden Sie ein von EPSON erhältliches Klebereinigungsblatt. Wenden Sie sich diesbezüglich an Ihren Händler.

Reinigungsverfahren

Verwenden Sie dieses Verfahren für beide Reinigungsblätter.

1. Legen Sie beide Papierrollen in den Drucker ein und schalten Sie den Drucker aus.
2. Öffnen Sie die Druckerabdeckung und schalten Sie den Drucker wieder ein, während Sie die Journal-/Einzelblatttaste (JOURNAL/SLIP) gedrückt halten.
3. Drücken Sie die Journal-/Einzelblatttaste (JOURNAL/SLIP) drei Mal.
4. Schließen Sie die Druckerabdeckung (die Einzelblattanzeige (SLIP LED) blinkt).
5. Gehen Sie nach der Anleitung auf dem Reinigungsblatt vor. Sie führen das Reinigungsblatt genauso wie einen normalen Scheck ein.
6. Wenn das Blatt ausgegeben wird, nehmen Sie es aus dem Drucker heraus; schalten Sie den Drucker dann aus.

Fehlersuche

Auf dem Bedienfeld leuchten keine Lämpchen

Überprüfen Sie das Netzkabel und die Steckdose. Wenn die Steckdose über einen Schalter oder Zeitgeber gesteuert wird, verwenden Sie eine andere Steckdose.

Die Fehler-LED (ERROR) leuchtet und das Gerät druckt nicht

Wenn die Bon- (RECEIPT OUT) oder Journalanzeige (JOURNAL OUT) **leuchtet**, ist keine Papierrolle eingelegt, oder der Papiervorrat geht zur Neige.

Die Fehler-LED (ERROR) blinkt und das Gerät druckt nicht (es liegt kein Papierstau vor)

Möglicherweise ist der Druckkopf überhitzt. Das Drucken wird nach dem Abkühlen des Druckkopfes fortgesetzt. Ist dies nicht der Fall, schalten Sie den Drucker aus und nach zehn Sekunden wieder ein. Wenn das Problem weiterhin auftritt wenden Sie sich an einen qualifizierten Techniker.

Der Drucker scheint zu drucken, es wird jedoch nichts ausgedruckt

Überprüfen Sie, ob das Farbband ordnungsgemäß eingelegt ist und überprüfen Sie das Farbband auf Abnutzung.

Eine Punktzeile fehlt

Möglicherweise ist der Druckkopf beschädigt. Brechen Sie den Druckvorgang ab und wenden Sie sich an einen qualifizierten Techniker.

Beheben eines Papierstaus



VORSICHT:

Berühren Sie den Druckkopf nicht, da dieser nach dem Drucken sehr heiß sein kann.

1. Schalten Sie den Drucker aus und öffnen Sie die Druckerabdeckung.

2. Schneiden Sie das Papier bei einem Journalrollen-Papierstau mit einer Schere oder einem Messer durch, wie in Abbildung **10** auf Seite 9 gezeigt. Nehmen Sie dann die Aufwickelpule heraus.
3. Schneiden Sie das Papier von den Papierrollen, wie in Abbildung **11** auf Seite 9 gezeigt durch.
4. Wenn Papier im automatischen Papierabschneider eingeklemmt ist, öffnen Sie das Messer indem Sie das Zahnrad in der in Abbildung **12** auf Seite 9 gezeigten Richtung drehen.
5. Bewegen Sie den Freigabehebel (OPEN ↔ LOCK) auf jeder Seite des Druckers in die in Abbildung **13** auf Seite 9 gezeigte Richtung; der Papierabschneider wird automatisch geöffnet.
6. Ziehen Sie das Papier vorsichtig heraus. Wenn es zerreißt, entfernen Sie alle Papierstücke.
7. Entfernen Sie bei Bedarf die Druckkopfabdeckung. Lösen Sie die Schraube auf der rechten Seite, wie in Abbildung **14** auf Seite 9 gezeigt. (Bringen Sie sie wieder an, indem Sie die Nase in den Schlitz einführen und die Schraube festziehen.)
8. Wenn Sie alle Papierstücke entfernt haben, schließen und verriegeln Sie die Schneideeinheit (verriegeln Sie beide Sperren) und legen Sie die Papierrollen wieder ein.

Technische Daten des Druckers TM-U950

Druckmethode	Serieller Punktmatrix-Nadeldruck
Kopfstiftkonfiguration	9 Nadeln vertikale angeordnet, Nadelabstand 0,353 mm, 0,29 mm Nadeldurchmesser
Druckrichtung	Bidirektional
Druckbreite	Rollenpapier: 61,1 mm; Einzelblatt: 135,6 mm
Zeichen pro Zeile (Standard)	9 × 9: Rollenpapier = 30; Einzelblatt = 66 7 × 9: Rollenpapier = 40; Einzelblatt = 88
Zeichenabstand (Standard)	9 × 9: 3 Punkte (halbe Punkte); 7 × 9: 2 Punkte (halbe Punkte)
Druckgeschwindigkeit	Hochgeschwindigkeit — 9 × 9: 233 Zeichen/Sekunde 7 × 9: 311 Zeichen/Sekunde Niedrige Geschwindigkeit — 9 × 9: 200 Zeichen/Sekunde 7 × 9: 267 Zeichen/Sekunde
Papiervorschubgeschwindigkeit	ca. 60,3 ms/Zeile (4,23 mm Vorschub); ca. 86,36 mm/s kontinuierliche Vorschub
Zeilenabstand (Standard)	4,23 mm
Zeichenanzahl	Alphanumerische Zeichen: 95; Internationale Zeichen: 32 Grafikzeichen: 128 × 9 Zeichentabellen (einschließlich freier Zeichentabellen)
Zeichenmatrix	9 × 9 or 7 × 9

Technische Daten des Druckers TM-U950

Papierrolle (einlagig)	Größe: Breite: 69,5 mm ± 0,5 mm Maximaler Außendurchmesser: 83 mm Innendurchmesser der Papierrollenspule: 10 mm oder mehr
Einzelblatt	Normal, Durchschlag und druckempfindlich
Anzahl der Kopien für Papierblätter	Original + 4 (bei 20 °C bis 40 °C) Original + 1 bis 3 Kopien (bei 5 °C bis 40 °C)
Gesamtstärke des Einzelblattes	0,09 bis 0,36 mm
Farbbandkassette	ERC-31
Puffergröße	32 Byte oder 2 KB, je nach DIP-Schaltereinstellung
Spannungsversorgung	+24 V Gleichspannung ± 10 %
Stromverbrauch (bei 24V)	Drucken von Bon- und Journalpapier (40 Spalten): Durchschnitt: ca. 1,8 A (alphanumerische Zeichen) Spitze: ca 8,0 A Zuführen von Papierblättern zur Anfangsdruckposition oder MICR-Lesevorgang: Durchschnitt: ca. 2,3 A für ca. 1,4 Sekunden
Lebensdauer	Mechanismus: 7.500.000 Zeilen Druckkopf: 150 Millionen Zeichen Farbband: 7.000.000 Zeichen MICR: 240.000 Durchgänge
MTBF	180.000 Stunden
MCBF	18.000.000 Zeilen
Temperatur	Betrieb: 5 °C bis 40 °C Lagerung: -10 °C bis 50 °C, außer für Farbband
Feuchtigkeit	Betrieb: 30 % bis 80 % relative Luftfeuchte Lagerung: 30 % bis 90 % relative Luftfeuchte
Gesamtabmessungen	194,5 mm × 251 mm × 298 mm (H × B × T)
Gewicht	ca. 5,6 kg

Gedruckt in Japan 1999.12

TM-U950

Gebruikershandleiding

DIP-switches

Zie binnenkant vooromslag van deze handleiding voor informatie over instelling van de DIP-switches.

Illustraties

Deze handleiding is verdeeld in 7 delen, een voor elke taal. De illustraties bevinden zich in het eerste gedeelte en worden niet herhaald. Echter de pagina referenties in de andere delen verwijzen naar de illustraties in het eerste deel.

Onderdelen van de printer

1. printerdeksel
2. bedieningspaneel
3. wikkelspoel
4. aan/uitknop
5. knop voor openen klep

Alle rechten voorbehouden. Niets uit deze uitgave mag worden verveelvoudigd, opgeslagen in een geautomatiseerd gegevensbestand of openbaar worden gemaakt in enige vorm of op enige wijze, hetzij elektronisch, mechanisch, door fotokopiëren, opnamen of enige andere manier, zonder voorafgaande schriftelijke toestemming van Seiko Epson Corporation. Er wordt geen aansprakelijkheid voor octrooien aanvaard in verband met gebruik van de informatie in deze uitgave. Hoewel bij het samenstellen van deze uitgave de grootste zorgvuldigheid is betracht, aanvaardt Seiko Epson Corporation geen aansprakelijkheid voor fouten of omissies. Noch wordt aansprakelijkheid aanvaard voor schade die voortvloeit uit gebruik van de informatie in deze uitgave.

Noch Seiko Epson Corporation noch een van haar dochterondernemingen kan aansprakelijk worden gesteld door de koper of door derden voor schade, verliezen of kosten die door de koper of derden zijn gemaakt als gevolg van ongelukken, onjuist gebruik of misbruik van dit product of door onbevoegden uitgevoerde modificaties, reparaties of wijzigingen van dit product of (tevens in de VS) het niet in acht nemen van de aanwijzingen voor gebruik en onderhoud van Seiko Epson Corporation.

Seiko Epson Corporation is niet aansprakelijk voor schade of problemen die voortvloeien uit gebruik van andere optionele producten of verbruiksgoederen dan die welke door Seiko Epson Corporation zijn aangemerkt als "originele Epson-producten" of als "door Epson goedgekeurde producten".

EPSON en ESC/POS zijn gedeponeerde handelsmerken van Seiko Epson Corporation.

BEKENDMAKING: Wijzigingen in de inhoud van deze handleiding onder voorbehoud.

Copyright © 1995, 1998, 2001 by Seiko Epson Corporation, Nagano, Japan.

Normen voor elektromagnetische compatibiliteit en veiligheid

Naam product: TM-U950/U950P

Naam model: M62UA/M114A

De volgende normen gelden alleen voor printers die van de desbetreffende aanduiding zijn voorzien. (EMC getest met EPSON PS-170 voeding.)

Europa: CE-keurmerk
Veiligheid: EN 60950

Noord-Amerika: EMI: FCC/ICES-003
Class A
Veiligheid: UL 1950/CSA C22.2
No. 950

Japan: EMC: VCCI Class A

Oceanië: EMC: AS/NZS 3548

CE-keurmerk

De printer voldoet aan de volgende richtlijnen en normen:

Richtlijn 89/336/EEC	EN 55022 klasse B EN 55024 IEC 61000-4-2 IEC 61000-4-3 IEC 61000-4-4 IEC 61000-4-5 IEC 61000-4-6 IEC 61000-4-8 IEC 61000-4-11
Richtlijn 90/384/EEC	EN 45501

WAARSCHUWING

Bij aansluiting van een niet-afgeschermd printerverbindingskabel op deze printer voldoet de printer niet aan de geldende normen voor EMC. U wordt erop gewezen dat wijzigingen of aanpassingen die niet uitdrukkelijk door SEIKO EPSON Corporation zijn goedgekeurd, u het recht op gebruik van de apparatuur kunnen ontnemen.

Veiligheidsmaatregelen

Dit gedeelte bevat belangrijke informatie voor veilig en effectief gebruik van dit product. Lees dit gedeelte aandachtig door en bewaar het op een goed toegankelijke plaats.



WAARSCHUWING:

Het apparaat onmiddellijk uitschakelen wanneer het rook, een vreemde geur of ongebruikelijk geluid afgeeft. Doorgaan met gebruik kan leiden tot brand of elektrische schokken. De stekker onmiddellijk uit het stopcontact trekken en contact opnemen met de leverancier of een servicecentrum van SEIKO EPSON voor advies.

Probeer niet zelf het product te repareren. Onjuist uitgevoerde reparaties kunnen gevaar veroorzaken.

Dit product niet demonteren of wijzigen. Wijzigen van dit product kan letsel of brand veroorzaken.

Ervoor zorgen dat u de juiste voedingsbron gebruikt. Aansluiten op een onjuiste voedingsbron kan brand veroorzaken.

Voorkomen dat er voorwerpen in het apparaat vallen. Binnendringen van vreemde voorwerpen kan brand veroorzaken.

Als er water of andere vloeistoffen in het apparaat terecht komt, de stekker onmiddellijk uit het stopcontact trekken en contact opnemen met de leverancier of een SEIKO EPSON servicecentrum voor advies. Doorgaan met gebruik kan leiden tot brand.

**LET OP:**

De kabels niet op een andere wijze aansluiten dan als vermeld in deze handleiding. Een andere wijze van aansluiting kan apparatuurschade of brand veroorzaken.

Dit apparaat moet op een stevige, stabiele en horizontale ondergrond geplaatst worden. Het product kan beschadigd raken of ongelukken veroorzaken als het valt.

Niet gebruiken op plaatsen met een hoge vochtigheidsgraad of veel stof. Overmatig vocht en/of stof kan apparatuurschade of brand tot gevolg hebben.

Geen zware voorwerpen boven op dit product plaatsen. Nooit op dit product gaan staan of leunen. De apparatuur kan defect raken of in elkaar klappen, wat breuk en eventueel letsel kan veroorzaken.

Om ongelukken te voorkomen altijd de stekker van dit product uit het stopcontact trekken als u het langere tijd niet gebruikt.

Waarschuwingsetiketten

**WAARSCHUWING:**

Geen telefoonlijn aansluiten op de connector van de kassalade-uitstoter of de schermmodule; dat kan de printer en de telefoonlijn beschadigen.

**LET OP:**

De printkop wordt heet.

Uitpakken

De printer met standaard specificaties omvat de volgende items. Neem contact op met de leverancier als er onderdelen beschadigd zijn.

- Printer
- Papierrollen (2)
- Lintcassette
- Deksel voor stroomschakelaar
- Wikkelspoel
- Waarschuwingsetiket
- Zeskantborgschroeven (2 stuks; alleen voor seriële interface)

Bedieningspaneel

RECEIPT FEED-knop

Druk op deze knop om het kassabonpapier in te voeren; houd de knop ingedrukt om het papier continu in te voeren.

JOURNAL/SLIP FEED-knop

Zorgt in de modus rolpapierpapierrol modus voor invoer van de journaalrol. Zorgt in slipmodus (als het SLIP-lampje brandt of knippert en er een papierslip wordt ingevoerd) voor invoer van de papierslip.

POWER-lampje

Brandt als de printer aan staat.

ERROR-lampje

Geeft aan dat er een fout is.

RECEIPT OUT-lampje

Geeft aan dat het kassabonpapier bijna of helemaal op is.

JOURNAL OUT-lampje

Geeft aan dat het journaalrolpapier bijna of helemaal op is.

SLIP-lampje

Geeft de slipmodus aan. Knippert als de printer wacht op het invoeren of verwijderen van een papierslip.

Verwijderen van de transportdemper

De printer wordt voor transport beschermd door een transportdemper die u moet verwijderen voordat u de printer aanzet.

Trek de demper uit zoals afgebeeld in afb. 1 op pagina 4.

NB:

Voordat u de printer transporteert, moet u de transportdemper weer op zijn plaats installeren.

Gebruik van het deksel voor de aan/uitknop



WAARSCHUWING:

Als er zich een ongeluk voordoet terwijl het deksel van de aan/uitknop is aangebracht, moet u onmiddellijk het voedingssnoer uit het stopcontact trekken. Verder gebruik kan tot brand leiden.

Het meegeleverde deksel voor de aan/uitknop voorkomt dat er per ongeluk op de aan/uitknop wordt gedrukt. Gebruik het deksel door het te installeren zoals afgebeeld in afb. **2** op pagina 4.

Installeren van de papierrollen

NB:

Gebruik alleen papierrollen die voldoen aan de specificaties.

1. Zorg ervoor dat de voorrand van de papierstrook recht is.
2. Zet de printer aan en open het printerdeksel.
3. Plaats de papierrollen aan de kassabon- en de journaalkant van de printer (zie afb. **3** op pagina 4). (De journaalrol bevindt zich aan de rechterkant op deze afbeelding.)
4. Steek voor elke rol de voorkant van het papier in de papieropening en duw het verder totdat het wordt waargenomen en in de printer wordt getrokken. Zie afbeelding **4** op pagina 5.
5. Scheur het kassabon bij de papiersnijder af. Als het papier niet ver genoeg is ingevoerd, drukt u op de RECEIPT FEED-knop om het verder in te voeren.
6. Steek de voorkant van het journaalpapier in de gleuf in de wikkelspoel en draai de wikkelspoel twee à drie keer om het papier vast te zetten. Zie afbeelding **5** op pagina 5. Als het papier niet ver genoeg is ingevoerd, drukt u op de JOURNAL/SLIP FEED-knop om het verder in te voeren.
7. Installeer de wikkelspoel en sluit het printerdeksel.
8. Om de journaalpapierrol te verwijderen, tilt u de wikkelspoel omhoog en knipt u het papier door. Verwijder vervolgens de wikkelspoel. Zie afbeelding **6** op pagina 5.
9. Om de journaal- of de kassabonpapierrol te verwijderen, drukt u vervolgens op de vrijgavehendel (met de tekst PRESS) op de desbetreffende kant van de printer, trekt u het papier uit en verwijdert u de rol.

Inbrengen van het slippapier

NB:

Geen gevouwen, gekreukeld of gekruld papier gebruiken.

Alleen slippapier gebruiken dat voldoet aan de specificaties van de printer.

Om vastlopen van papier te voorkomen, moet u beide papierrollen in de printer installeren, zelfs als u alleen van plan bent om papierslips slippapier te gebruiken.

1. Als het SLIP-lampje knippert, brengt u het slippapier in en gebruikt u de rechterrاند van de slippapieropening als geleider. Zie afbeelding 7 op pagina 6.
2. Zodra de printer het papier waarneemt, trekt hij het naar binnen en begint hij met drukken.



LET OP:

Breng het waarschuwingsetiket precies op de afgebeelde plaats aan. Als u het ergens anders aanbrengt, bijvoorbeeld over de papierslipopening slippapieropening, kan de printer beschadigd raken.

Installeren van een lint

Gebruik EPSON ERC-31. Gebruik van lintcassettes die niet door EPSON zijn goedgekeurd, kan de printer beschadigen en maakt de garantie ongeldig.

1. Zet de printer aan en open het lintdeksel.
2. Draai de knop van de lintcassette twee à drie keer in de richting van het pijltje in afb. 8 op pagina 6 om het lint strak te trekken.
3. Installeer het lint in de printer en draai de knop van de lintcassette nogmaals twee à drie keer om het lint goed te plaatsen.
4. Controleer of het lint vóór de printkop loopt zonder vouwen of kreukels.
5. Om de lintcassette te verwijderen, pakt u hem bij de lip beet en trekt u hem uit de printer.

Gebruik van de MICR-lezer (optioneel)

Met de optionele, in de fabriek te installeren MICR-lezer (MICR = *m*Magnetic *i*lnk *c*Character *r*Recognition; magnetische tekenherkenning) kan de printer MICR-inkt op cheques lezen.

**LET OP:**

Installeer beide papierrollen om vastlopen van papier te voorkomen.
Geen cheques met nietjes en geen gekreukelde cheques invoeren.

1. Het SLIP-lampje knippert.
2. Steek de cheque met de voorkant omlaag in de opening, met de MICR-tekens aan de rechterkant.
3. Steek de cheque zo ver mogelijk recht in de opening en gebruik daarbij de rechterkant van de opening als geleider. Zie afbeelding 9 op pagina 7.
4. De printer begint de cheque naar binnen te trekken. Laat de cheque onmiddellijk los. Het SLIP-lampje stopt met knipperen en brandt constant.
5. Nadat de MICR-tekens zijn gelezen, werpt de printer de cheque uit en begint het SLIP-lampje weer te knipperen.
6. Verwijder de cheque door hem recht naar buiten te trekken (niet onder een hoek). Het SLIP-lampje gaat nu uit.

Reinigen van het optionele MICR-mechaniek

Maak de MICR-kop en de MICR-rol na 6000 maal gebruik of eenmaal per maand schoon.

NB:

Als u regelmatig leesfouten krijgt bij MICR, gebruik dan onderstaande procedure.

Voor de MICR-kop

Gebruik een bevochtigd reinigingsvel zoals de PRESAT (KIC) "Check Reader Cleaning Card" of een vergelijkbaar, commercieel verkrijgbaar reinigingsvel.

Voor de MICR-toevoerrol

Gebruik het klevende reinigingsvel dat EPSON u kan leveren.
Neem hiervoor contact op met uw leverancier.

Reinigingsprocedure

Gebruik deze procedure voor beide reinigingsvellen.

1. Installeer een papierrol in de printer en zet de printer vervolgens uit.
2. Open het voorpaneel en zet de printer weer aan terwijl u de JOURNAL/SLIP-knop ingedrukt houdt.

3. Druk drie keer op de JOURNAL/SLIP-knop.
4. Sluit het voorpaneel (het SLIP-lampje knippert).
5. Volg de aanwijzingen op het reinigingsvel. Plaats het reinigingsvel op dezelfde manier in de opening als een gewone cheque.
6. Nadat het vel is uitgestoten, haalt u het uit de printer en zet u de printer uit.

Probleemoplossing

De lampjes op het bedieningspaneel gaan niet aan.

Inspecteer de voedingskabel en het stopcontact. Als het stopcontact een schakelaar of timer heeft, moet u een ander stopcontact gebruiken.

ERROR-lampje brandt (knippert niet) en er wordt niets afgedrukt.

Als RECEIPT OUT of JOURNAL OUT **brandt**, is de papierrol niet geïnstalleerd of is hij bijna leeg. Als deze lampjes **niet branden**, is het printerdeksel niet goed gesloten.

ERROR-lampje knippert en er wordt niets afgedrukt (en er is geen papier vastgelopen).

Misschien is de printkop oververhit. Het afdrukken wordt hervat nadat de printkop is afgekoeld. Is dat niet het geval, dan zet u de printer gedurende tien seconden uit en vervolgens weer aan. Als het probleem aanhoudt, neemt u contact op met een bevoegd onderhoudsmonteur.

Het lijkt alsof de printer afdrukt, maar er wordt niets afgedrukt.

Controleer of het lint goed geïnstalleerd is en niet versleten is.

Er ontbreekt een regel dots.

Misschien is de printkop beschadigd. Stop met afdrukken en neem contact op met een bevoegd reparateur.

Verwijderen van vastgelopen papier

**LET OP:**

Raak de printkop niet aan, aangezien hij na het afdrukken zeer heet kan zijn.

1. Zet de printer uit en open het printerdeksel.
2. Als het journaalrolpapier is vastgelopen, knipt of snijdt u dit door (zie afb. **10** op pagina 9) en verwijdert u de wikkelspoel.
3. Snijd het papier van de papierrollen door zoals afgebeeld in afb. **11** op pagina 9.
4. Als het papier in de automatische papiersnijder is vastgelopen, opent u het mes van de papiersnijder door het tandwiel te draaien in de richting die is afgebeeld in afb. **12** op pagina 9.
5. Verplaats de OPEN ↔ LOCK-hendels aan weerszijden van de printer in de richting als afgebeeld in afb. **13** op pagina 9; de papiersnijder gaat vanzelf open.
6. Trek het papier voorzichtig uit. Als het scheurt, verwijdert u alle snippers.
7. Verwijder zo nodig de printkopkap. Draai de schroef rechts los zoals afgebeeld in afb. **14** op pagina 9. (Installeer de kap weer op zijn plaats door de lip in de gleuf te schuiven en de schroef aan te draaien.)
8. Nadat u al het papier hebt verwijderd, sluit en vergrendelt u de papiersnijder (zet beide hendels vast) en installeert u de papierrollen weer.

Specificaties voor de TM-U950

Afdrukmethode	Seriële impact dotmatrix
Configuratie kopdraden	9-pens verticale regel, draadafstand 0,353 mm, draaddiameter 0,29 mm
Afdrukrichting	Bidirectioneel, minimale afstand
Afdrukbreedte	Papierrol: 61,1 mm; papierslip: 135,6 mm
Tekens per regel (standaard)	9 × 9: papierrol = 30; papierslip = 66 7 × 9: papierrol = 40; papierslip = 88
Tussenafstand tekens (standaard)	9 × 9: 3 dots (halve dots); 7 × 9: 2 dots (halve dots)
Afdruksnelheid	Hoge snelheid – 9 × 9: 233 tekens/s 7 × 9: 311 tekens/s
	Lage snelheid – 9 × 9: 200 tekens/s 7 × 9: 267 tekens/s
Toevoersnelheid papier	Ong. 60,3 ms/regel (toevoer van 4,23 mm) Ong. 86,36 mm/s continu toevoer
Regelafstand (standaard)	4,23 mm
Aantal tekens	Alfanumerieke tekens: 95; internationale tekens: 32 Extended graphics: 128 × 9 pagina's (m.i.v. spatiepagina's)
Tekenstructuur	9 × 9 of 7 × 9
Papierrol (enkele laag)	Afmetingen: Breedte: 69,5 ± 0,5 mm Maximale buitendiameter: 83 mm Binnendiameter papierrolspoel: ten minste 10 mm
Papierslip	Normaal, drukgevoelig en carbon
Aantal kopieën voor slips	Origineel + 4 kopieën bij 20–40 °C Origineel + 1–3 kopieën bij 5–40 °C
Totale dikte slips	0,09–0,36 mm
Lintcassette	ERC-31
Buffergrootte	32 bytes of 2 kB, afhankelijk van de stand van de DIP-switch
Voedingsspanning	+24 V d.c. ± 10 %
Stroomverbruik (bij 24 V)	Bedrukken van kassabonnen en journaalpapier (40 kolommen): gemiddeld: ong. 1,8 A (alfanumerieke tekens) piek: ong. 8,0 A Toevoer van papierslip naar afdrukbeginpositie of MICR-lezing: gemiddeld: ong. 2,3 A gedurende ong. 1,4 s
Levensduur	Mechaniek: 7 500 000 regels Printkop: 150 miljoen tekens Lint: 7 000 000 tekens MICR: 240 000 lezingen
MTBF	180 000 uur
MCBF	18 000 000 regels
Temperatuur	Bedrijf: 5 tot 40 °C Opslag: –10 tot 50 °C (m.u.v. lint)
Vochtigheid	Bedrijf: 30–80 % relatieve vochtigheid Opslag: 30–90 % relatieve vochtigheid
Afmetingen	194,5 × 251 × 298 mm (H × B × D)
Gewicht (massa)	Ong. 5600 gram

Gedrukt in Japan. 1999.12

TM-U950

Manuel d'utilisation

Micro-interrupteurs (DIP)

Pour tous renseignements sur le réglage des micro-interrupteurs (DIP), voir l'intérieur de la couverture de ce manuel.

Illustrations

Le présent manuel comprend 7 parties, une pour chaque langue. La plupart des illustrations se trouve dans la première partie exclusivement. Le numéro de page des illustrations est toutefois indiqué dans chaque partie.

Pièces de l'imprimante

1. capot de l'imprimante
2. panneau de commande
3. bobine réceptrice
4. interrupteur de marche-arrêt
5. bouton d'ouverture du capot

Tous droits réservés. Sauf autorisation écrite préalable de Seiko Epson Corporation, la reproduction, le stockage dans un système de rappel de données et la transmission sous quelque forme ou par quelque moyen que ce soit (électronique, mécanique, par photocopie, enregistrement, etc...) d'une partie quelconque de la présente publication sont interdits. La société décline toute responsabilité relative à l'exploitation des informations contenues dans le présent document. Cet ouvrage a été rédigé avec le plus grand soin ; toutefois, Seiko Epson décline toute responsabilité pour les erreurs et omissions qu'il pourrait contenir, ainsi que pour tous dommages résultant de l'exploitation des informations qu'il contient.

La responsabilité de Seiko Epson Corporation ou de ses filiales ne saurait être engagée envers l'acheteur de ce produit ou envers des tiers pour dommages, pertes, frais ou débours encourus par ceux-ci par suite d'accident ou d'utilisation erronée ou abusive de ce produit, de modification, réparation ou transformation non autorisée de celui-ci, ou (à l'exclusion des Etats-Unis), de toute utilisation du produit qui n'est pas strictement conforme aux instructions d'utilisation et de maintenance de Seiko Epson Corporation.

Seiko Epson Corporation décline toute responsabilité pour dommages ou problèmes découlant de l'utilisation de tous articles en option ou de toutes fournitures consommables autres que celles désignée produit d'origine Epson ou produit approuvé Epson par Seiko Epson Corporation.

EPSON et ESC/POS sont des marques déposées de Seiko Epson Corporation.

REMARQUE : Les informations contenues dans ce manuel sont sujettes à modification sans préavis.

Copyright © 1995, 1998, 2001 par Seiko Epson Corporation, Nagano, Japon.

Conformité aux normes de compatibilité électromagnétique et de sécurité

Nom du produit : TM-U950/U950P

Nom du modèle : M62UA/M114A

Les normes ci-dessous ne concernent que les imprimantes portant le label pertinent. (Test de compatibilité électromagnétique réalisé au moyen du bloc d'alimentation EPSON PS-170.)

Europe : Label CE
Sécurité : EN 60950

Amérique du Nord : Perturbations électromagnétiques :
FCC/ICES-003
Classe A
Sécurité : UL 1950/CSA
C22.2 No. 950

Japon : CEM : VCCI Classe A

Océanie : CEM : AS/NZS 3548

Label CE

L'imprimante est conforme aux directives et normes suivantes :

Directive 89/336/EEC	EN 55022 Classe B EN 55024 IEC 61000-4-2 IEC 61000-4-3 IEC 61000-4-4 IEC 61000-4-5 IEC 61000-4-6 IEC 61000-4-8 IEC 61000-4-11
Directive 90/384/EEC	EN 45501

A L'INTENTION DES UTILISATEURS CANADIENS

Cet appareil numérique de Classe A est conforme à la norme canadienne ICES-003.

AVERTISSEMENT

La connexion à cette imprimante d'un câble d'interface non blindé rend ce dispositif non conforme aux normes CEM. L'utilisateur est prévenu que toute modification ou tout changement non expressément autorisé par SEIKO EPSON Corporation peut provoquer l'annulation de son autorisation d'utilisation de l'équipement.

Consignes de sécurité

Cette section présente des informations importantes relatives à l'utilisation efficace et sans danger de ce produit. On voudra bien la lire attentivement et la conserver à portée de main.



AVERTISSEMENT :

Mettre immédiatement l'équipement hors tension s'il dégage de la fumée ou une odeur étrange ou s'il émet des bruits inhabituels. En persistant à l'utiliser dans ces circonstances, on risquerait de provoquer un incendie. Débrancher immédiatement l'équipement et contacter le distributeur ou un centre de service SEIKO EPSON pour demander conseil.

Ne jamais essayer de réparer ce produit soi-même. Toute réparation erronée peut être dangereuse.

Ne jamais démonter ou modifier ce produit. Les interventions intempestives peuvent provoquer des blessures ou des incendies.

Vérifier que la source d'alimentation électrique est conforme aux spécifications. Toute connexion à une source d'alimentation non conforme peut provoquer un incendie.

Ne pas laisser tomber de corps étrangers dans l'équipement. La pénétration de corps étrangers peut provoquer un incendie. En cas de pénétration d'eau ou d'un autre liquide renversé dans l'équipement, débrancher immédiatement le cordon d'alimentation et contacter le distributeur ou un centre de service SEIKO EPSON pour demander conseil. En persistant à utiliser l'équipement dans ces circonstances, on risquerait de provoquer un incendie.

**ATTENTION :**

Se conformer strictement aux instructions relatives à la connexion de câbles du présent manuel. Tout écart peut provoquer l'endommagement de l'équipement ou un incendie.

Veiller à poser cette unité sur une surface horizontale ferme et stable. Toute chute du produit peut casser celui-ci ou occasionner des blessures.

Ne pas utiliser le produit dans des endroits très poussiéreux ou exposés à une forte humidité. Toute humidité ou poussière excessive peut provoquer l'endommagement de l'équipement ou un incendie.

Ne pas poser d'objets lourds sur ce produit. Ne jamais s'y appuyer ou monter dessus. L'équipement pourrait tomber ou s'affaisser, et se casser ou causer des blessures.

Pour plus de sécurité, débrancher ce produit lorsqu'il ne doit pas servir pendant une période de temps prolongée.

Étiquettes d'avertissement

**AVERTISSEMENT :**

Ne pas connecter une ligne téléphonique au connecteur du ressort de tiroir ou à celui du module d'affichage : on risquerait d'endommager l'imprimante et la ligne téléphonique.

**ATTENTION :**

La tête d'impression est brûlante.

Déballage

Les éléments suivants sont fournis avec l'imprimante standard. Contacter le revendeur si l'un d'entre eux est endommagé.

- Imprimante
- Rouleaux de papier (2)
- Cartouche de ruban
- Cache de l'interrupteur de marche-arrêt
- Bobine réceptrice
- Etiquette d'avertissement
- Vis de blocage six-pans (2 éléments ; pour l'interface série uniquement)

Panneau de commande

Bouton d'avance du papier reçus (RECEIPT FEED)

Appuyer sur ce bouton pour faire avancer le papier reçu ; le maintenir enfoncé pour commander l'avance continue du papier.

Bouton d'avance du papier journal/des facturettes (JOURNAL/SLIP)

En mode rouleau de papier, ce bouton commande l'avance du rouleau de papier journal. En mode facturette (c'est-à-dire lorsque le témoin de facturette (SLIP) est allumé ou clignote et que du papier facturette est inséré), ce bouton commande l'avance du papier facturette.

Témoin d'alimentation (POWER)

Ce voyant s'allume lorsque l'imprimante est sous tension.

Témoin d'erreur (ERROR)

Ce voyant s'allume pour indiquer une erreur.

Témoin de papier reçu épuisé (RECEIPT OUT)

Ce voyant s'allume lorsque le rouleau de papier reçu est épuisé ou sur le point de l'être.

Témoin de papier journal épuisé (JOURNAL OUT)

Ce voyant s'allume lorsque le rouleau de papier journal est épuisé ou sur le point de l'être.

TÉMOIN DE FACTURETTE (SLIP)

Ce voyant s'allume pour indiquer que l'imprimante est en mode facturette. Il clignote lorsque l'imprimante attend l'insertion ou le retrait d'une facturette.

Retrait du tampon de transport

En cours d'expédition, l'imprimante est protégée par un tampon de transport, qu'il convient de retirer avant de la mettre sous tension.

Retirer le tampon comme l'indique la figure 1, page 4.

Remarque :

Réinstaller le tampon avant toute nouvelle expédition de l'imprimante.

Utilisation du cache de l'interrupteur



AVERTISSEMENT :

Si un accident se produit alors que le cache de l'interrupteur est en place, débrancher immédiatement le cordon d'alimentation : tout fonctionnement de l'imprimante dans ces circonstances présente un risque d'incendie.

Le cache de l'interrupteur qui accompagne l'imprimante empêche tout actionnement accidentel de l'interrupteur marche-arrêt. Pour l'utiliser, l'installer comme l'indique la figure 2, à la page 4.

Installation des rouleaux de papier

Remarque :

Utiliser uniquement des rouleaux de papier conformes aux spécifications.

1. S'assurer que l'extrémité avant du papier est rectiligne.
2. Mettre l'imprimante sous tension et ouvrir le capot.
3. Insérer les rouleaux de papier reçus et journal dans l'imprimante, comme l'indique la figure 3, page 4. (Le rouleau journal se trouve à droite dans cette figure.)
4. Pour les deux rouleaux, insérer l'extrémité du papier dans la fente d'alimentation, et le pousser jusqu'à ce qu'il soit détecté et pris en charge automatiquement par l'imprimante. Voir la figure 4, page 5.
5. Déchirer sur le coupe-papier le papier reçu qui dépasse de celui-ci. En cas d'avance insuffisante du papier, appuyer sur le bouton d'avance du papier reçus (RECEIPT FEED) pour rectifier la situation.
6. Insérer l'extrémité du papier journal dans la rainure de la bobine réceptrice et faire faire deux ou trois tours à la bobine afin d'y fixer le papier. Voir la figure 5, page 5. En cas d'avance

insuffisante du papier, appuyer sur le bouton d'avance du papier journal/des factures (JOURNAL/SLIP FEED) pour rectifier la situation.

7. Installer la bobine réceptrice et fermer le capot de l'imprimante.
8. Pour retirer le rouleau de papier journal, soulever la bobine réceptrice et couper le papier, puis retirer la bobine réceptrice. Voir la figure 6, page 5.
9. Dans le cas des deux rouleaux de papier, appuyer ensuite sur le levier de dégagement (PRESS) du côté correspondant de l'imprimante, retirer le papier de son circuit, puis retirer le rouleau.

Insertion de papier facturette

Remarques :

Utiliser uniquement du papier lisse et plat, sans plis.

Utiliser uniquement du papier conforme aux spécifications de l'imprimante.

Pour éviter les bourrages, installer les deux rouleaux de papier dans l'imprimante, même si on prévoit d'utiliser uniquement du papier facturette.

1. Lorsque le témoin de facturette (SLIP) clignote, insérer le papier facturette en se servant du bord droit du guide d'alimentation pour l'orienter correctement (voir la figure 7, page 6).
2. Lorsque l'imprimante détecte le papier, elle le saisit et commence l'impression.



ATTENTION :

Veiller à apposer l'étiquette d'avertissement exactement à l'emplacement indiqué. A tout autre endroit (par-dessus la fente d'alimentation du papier facturette, par exemple) elle risque d'endommager l'imprimante.

Installation d'une cartouche de ruban

Utiliser la cartouche de ruban EPSON ERC-31. L'utilisation de cartouches ruban non approuvées par EPSON peut endommager l'imprimante et entraîne l'annulation de la garantie.

1. Mettre l'imprimante sous tension et ouvrir le couvercle de ruban.

2. Afin d'éliminer tout jeu du ruban, tourner le bouton de la cartouche de 2 ou 3 tours dans le sens de la flèche, comme l'indique la figure **8**, page 6.
3. Insérer le ruban dans l'imprimante et faire faire 2 ou 3 tours supplémentaires au bouton de la cartouche, pour mettre le ruban en position correcte.
4. Vérifier que le ruban est installé devant la tête d'impression et qu'il n'est ni froissé, ni plié.
5. Pour retirer la cartouche de ruban, la saisir par la languette et la tirer hors de l'imprimante.

Utilisation du lecteur R.M.C. (en option)

Le lecteur à reconnaissance magnétique de caractères (R.M.C.) en option, installé à l'usine, permet à l'imprimante de lire l'encre R.M.C. des chèques.



ATTENTION :

Pour éviter les bourrages, s'assurer que les deux rouleaux de papier sont installés. Ne pas insérer des chèques froissés ou comportant des agrafes

1. Le témoin de facturette (SLIP) clignote.
2. Insérer le chèque face vers le bas et caractères R.M.C. à droite.
3. Insérer le chèque à fond, dans l'axe du guide d'alimentation, en l'alignant avec le bord droit de celui-ci. Voir la figure **9**, page 7.
4. L'imprimante saisit le chèque. Le lâcher immédiatement. Le témoin de facturette (SLIP) cesse de clignoter et reste allumé.
5. Une fois la lecture R.M.C. terminée, l'imprimante éjecte le chèque et le témoin de facturette (SLIP) se remet à clignoter.
6. Retirer le chèque en le tirant dans l'axe du guide d'alimentation (et non vers le côté). Le témoin de facturette (SLIP) s'éteint.

Nettoyage du mécanisme R.M.C. en option

Nettoyer la tête et le rouleau d'alimentation du mécanisme R.M.C. toutes les 6.000 lectures, ou une fois par mois.

Remarque :

Si les erreurs de lecture magnétique sont fréquentes, procéder comme indiqué ci-dessous.

Nettoyage de la tête R.M.C.

Utiliser une feuille de nettoyage humidifiée, telle que la « Check Reader Cleaning Card » de marque PRESAT (KIC) ou équivalente, disponible dans le commerce.

Nettoyage du rouleau d'alimentation R.M.C.

Utiliser une feuille de nettoyage adhésive, disponible auprès d'EPSON. Contacter le revendeur.

Procédure de nettoyage

La procédure ci-dessous vaut pour les deux feuilles de nettoyage.

1. Charger les deux rouleaux de papier dans l'imprimante, puis mettre celle-ci hors tension.
2. Ouvrir le capot avant et, tout en maintenant le bouton d'avance du papier journal/des facturettes (JOURNAL/SLIP) enfoncé, remettre l'imprimante sous tension.
3. Appuyer 3 fois sur le bouton d'avance du papier journal/des facturettes (JOURNAL/SLIP).
4. Fermer le capot avant (le témoin de facturette (SLIP) clignote).
5. Suivre les instructions portées sur la feuille de nettoyage. Celle-ci s'insère normalement, comme un chèque.
6. Lorsque la feuille s'éjecte, la retirer de l'imprimante et mettre celle-ci hors tension.

Dépannage

Aucun témoin du panneau de commande ne s'allume

Vérifier le câble d'alimentation et la prise de courant. Si celle-ci est commandée par un interrupteur ou une minuterie, utiliser une autre prise.

Le témoin d'erreur (ERROR) est allumé (sans clignoter) et l'imprimante ne fonctionne pas

Si le témoin de papier reçu épuisé (RECEIPT OUT) ou celui de papier journal épuisé (JOURNAL OUT) est allumé, l'un des rouleaux de papier est absent ou presque épuisé. Si ces témoins sont éteints, le couvercle est mal fermé.

Le témoin d'erreur (ERROR) clignote, l'imprimante ne fonctionne pas, et il n'y a pas de bourrage de papier

Une surchauffe de la tête d'impression peut être en cause. L'impression reprend une fois que la tête s'est refroidie. Si ce n'est pas le cas, mettre l'imprimante hors tension, attendre 10 secondes, puis la remettre sous tension. Si le problème persiste, contacter un technicien qualifié.

L'imprimante semble fonctionner normalement, mais rien ne s'imprime sur le papier

Vérifier l'installation et l'état du ruban.

Il manque une ligne de points

La tête d'impression peut être endommagée. Interrompre l'impression et contacter un technicien qualifié.

Dégagement d'un bourrage de papier

**ATTENTION :**

Veiller à ne pas toucher la tête d'impression ; en effet, elle peut devenir brûlante en cours de fonctionnement.

1. Mettre l'imprimante hors tension et ouvrir le capot.
2. Dans le cas d'un bourrage de papier journal, couper celui-ci à l'aide d'une paire de ciseaux ou d'un couteau, comme l'indique la figure **10**, page 9, et retirer la bobine réceptrice.
3. Couper le papier des rouleaux comme l'indique la figure **11**, page 9.
4. Si le papier est coincé dans le coupe-papier automatique, ouvrir celui-ci en tournant la molette dans le sens indiqué par la figure **12**, page 9.
5. Déplacer le levier ouverture-verrouillage (OPEN ↔ LOCK), situé des deux côtés de l'imprimante, dans le sens indiqué par la figure **13**, page 9. Le coupe-papier s'ouvre automatiquement.
6. Dégager le papier en tirant dessus avec précaution. S'il se déchire, retirer tous les morceaux.
7. Retirer au besoin le couvercle de la tête d'impression. Desserrer la vis située à droite comme l'indique la figure **14**, page 9. (Pour la remettre en place, faire glisser la languette dans la fente et serrer la vis.)

8. Une fois tout le papier bourré éliminé, fermer et verrouiller l'ensemble du coupe-papier (actionner les deux verrous) et réinstaller les rouleaux de papier.

Fiche technique de la TM-U950

Méthode d'impression	Impression matricielle série par percussion
Configuration des broches de la tête	Ligne verticale 9 broches, espacement des broches 0,353 mm, diamètre des broches 0,29 mm
Sens d'impression	Bidirectionnelle à distance minimale
Largeur d'impression	Papier en rouleau : 61,1 mm ; papier facturette : 135,6 mm
Caractères/ligne (par défaut)	9 × 9 : papier en rouleau = 30 ; papier facturette = 66 7 × 9 : papier en rouleau = 40 ; papier facturette = 88
Espacement des caractères (par défaut)	9 × 9, espacement à 3 points (demi points) ; 7 × 9, espacement à 2 points (demi points)
Vitesse d'impression	Haute vitesse — 9 × 9 : 233 caractères/s 7 × 9 : 311 caractères/s Economique — 9 × 9 : 200 caractères/s 7 × 9 : 267 caractères/s
Vitesse d'avance papier	Approx. 60,3 ms/ligne (avance de 4,23 mm) Approx. 86,36 mm/s alimentation continue
Espace interligne (par défaut)	4,23 mm
Nombre de caractères	Alphanumériques : 95 ; internationaux : 32 Graphiques étendus : 128 × 9 (pages espace comprises)
Structure des caractères	9 × 9 ou 7 × 9
Rouleau papier (simplex)	Taille : Largeur : 69,5 ± 0,5 mm Diamètre externe maximal : 83 mm Diamètre interne minimal du tube du rouleau : 10 mm
Papier facturette	Normal, copie carbone, et auto-adhésif
Nombre d'exemplaires, facturette	Original + 4 copies (à 20 à 40 °C) Original + 1 à 3 copies (à 5 à 40 °C)
Epaisseur totale de la facturette	0,09 à 0,36 mm
Cartouche de ruban	ERC-31
Tampon de réception	32 octets ou 2 Ko, en fonction du réglage des microinterrupteurs
Alimentation électrique	+ 24 V c.c. ± 10 %
Consommation électrique (à 24 V)	Impression papier reçus et journal (40 colonnes) : Moyenne : Approx. 1,8 A (caractères alphanumériques) Pointe : Approx. 8,0 A Alimentation de papier facturette à la position de départ d'impression, ou lecture R.M.C. : Moyenne : Approx. 2,3 A pour approx. 1,4 seconde
Durée utile	Mécanisme : 7.500.000 lignes Tête d'impression : 150 millions de caractères Ruban : 7.000.000 caractères R.M.C. : 240.000 opérations
MTBF	180.000 heures

Fiche technique de la TM-U950

MCBF	18.000.000 lignes
Température	Service : 5 à 40 °C Stockage : -10 à 50 °C, sauf ruban
Humidité	Service : 30 à 80 % HR Stockage : 10 à 90 % HR
Dimensions globales	194,5 × 251 × 298 mm (H × l × P)
Poids (masse)	Approximativement 5,6 kg

Imprimé au Japon 1999.12

TM-U950

Manual do utilizador

Interruptor DIP

Veja a contracapa frontal deste manual para informações sobre as definições do interruptor DIP.

Ilustrações

Este manual está dividido em 7 secções, uma para cada língua. As ilustrações aparecem apenas na primeira secção; no entanto, em cada uma das secções, há referência às páginas onde se encontram as ilustrações.

Peças da impressora

1. tampa da impressora
2. painel de controlo
3. tensor do rolo
4. interruptor de ligação
5. tecla de abertura da tampa

Todos os direitos reservados. Esta publicação não pode ser integral ou parcialmente reproduzida, arquivada nem transmitida por meio de fotocópias, gravação ou qualquer outro sistema mecânico ou electrónico, sem a prévia autorização por escrito da SEIKO EPSON CORPORATION, que não assume qualquer responsabilidade de patente no que diz respeito ao uso das informações aqui contidas. Uma vez que foram tomadas todas as precauções na elaboração deste manual, a SEIKO EPSON CORPORATION não se responsabiliza por erros ou omissões, nem por quaisquer danos resultantes do uso das informações aqui contidas.

O comprador deste produto ou terceiros não podem responsabilizar a SEIKO EPSON CORPORATION, ou as suas filiais, por quaisquer danos, perdas, custos ou despesas, incorridos por ele ou por terceiros, resultantes de acidentes, abusos ou má utilização do produto, de modificações não autorizadas, reparações ou alterações do produto, ou resultantes ainda da inobservância estrita das instruções de utilização e manutenção estabelecidas pela SEIKO EPSON CORPORATION.

A SEIKO EPSON CORPORATION não se responsabiliza por quaisquer avarias ou problemas provocados pela utilização de opções ou produtos não reconhecidos como sendo produtos genuínos EPSON ou produtos aprovados pela EPSON.

EPSON e ESC/POS são marcas registadas da Seiko Epson Corporation.

AVISO: O conteúdo deste manual está sujeito a alterações sem aviso prévio.

© 1995, 1998, 2001, Seiko Epson Corporation, Nagano, Japão.

Normas de compatibilidade electromagnética (EMC) e normas de segurança aplicáveis

Nome do produto: TM-U950/U950P

Nome do modelo: M62UA/M114A

Os seguintes padrões aplicam-se somente a impressoras cujos rótulos incluem os mesmos. (As normas EMC são testadas utilizando a fonte de energia EPSON PS-170).

Europa:	Certificação CE
	Segurança: EN 60950
América do Norte:	EMI: FCC/ICES-003 Classe A
	Segurança: UL 1950/CSA C22.2 N.º 950
Japão:	EMC: VCCI Classe A
Oceania:	EMC: AS/NZS 3548

ATENÇÃO

A ligação da impressora através de um cabo de interface não blindado invalida as normas EMC deste dispositivo. Quaisquer alterações não aprovadas expressamente pela SEIKO EPSON CORPORATION podem anular a autorização concedida para utilizar o equipamento.

Certificação CE

A impressora está em conformidade com as seguintes directivas e normas:

Directiva 89/336/EEC	EN 55022 Classe B EN 55024
	IEC 61000-4-2
	IEC 61000-4-3
	IEC 61000-4-4
	IEC 61000-4-5
	IEC 61000-4-6
	IEC 61000-4-8
	IEC 61000-4-11
Directiva 90/384/EEC	EN 45501

Declaração de conformidade com a FCC para os utilizadores americanos

Este equipamento foi testado e constatou-se que está em conformidade com os limites estabelecidos para um dispositivo digital Classe A, de acordo com a Parte 15 das Normas da FCC. Esses limites são estabelecidos para fornecer uma protecção aceitável contra interferências prejudiciais se o equipamento for utilizado num ambiente comercial.

Este equipamento gera, utiliza e pode irradiar energia em radiofrequência e, se não for instalado e utilizado de acordo com o manual de instruções, poderá causar interferências prejudiciais à comunicação via rádio. A utilização deste equipamento em áreas residenciais poderá provocar interferências prejudiciais, devendo, nesses casos, o utilizador corrigir ele mesmo as interferências.

Instruções de segurança

Esta secção contém informações importantes sobre como utilizar este produto de uma forma eficaz e segura. Leia estas instruções e guarde-as num local acessível para que as possa consultar sempre que necessário.



ATENÇÃO:

Se o equipamento emitir fumo, um odor estranho ou um ruído involgar, desligue-o imediatamente. Se o continuar a utilizar, poderá provocar um incêndio ou um choque eléctrico. Desligue imediatamente o equipamento da tomada e contacte o Serviço de Assistência a Clientes EPSON.

Nunca tente reparar este produto; as reparações indevidas podem tornar-se perigosas.

Nunca desmonte ou modifique este produto; caso contrário pode ferir-se, provocar um incêndio ou um choque eléctrico.

Utilize a fonte de energia especificada; caso contrário, poderá provocar um incêndio ou um choque eléctrico.

Não insira objectos estranhos no interior do equipamento; caso contrário, poderá provocar um incêndio ou um choque eléctrico.

Se derramar água ou outro líquido no equipamento, desligue o cabo de corrente imediatamente e contacte o Serviço de Assistência a Clientes EPSON. Se continuar a utilizar o equipamento, poderá provocar um incêndio ou um choque eléctrico.



IMPORTANTE:

Ao ligar os cabos, siga estritamente as instruções do manual. Diferentes ligações podem danificar ou queimar o equipamento.

Instale o equipamento numa superfície firme, plana e estável, para evitar que o equipamento caia e fique danificado ou cause ferimentos.

Evite locais sujeitos a níveis de humidade e elevados e com demasiado pó. Humidade e pó em excesso podem danificar o equipamento, provocar um incêndio ou um choque eléctrico.

Não coloque objectos pesados em cima deste produto. Não se sente nem se apoie em cima do produto. O equipamento pode cair ou ceder e partir ou provocar ferimentos.

Para maior segurança, desligue este produto se não o for utilizar durante um longo período.

Etiquetas de aviso



ATENÇÃO:

Não ligue uma linha telefónica ao conector de abertura da gaveta nem ao conector do módulo do viso; caso contrário, poderá danificar a impressora e a linha telefónica.



IMPORTANTE:

A cabeça de impressão está quente.

Desembalagem

Os seguintes elementos são fornecidos com a impressora de especificação padrão. Se algum dos componentes se encontrar danificado, contacte o Serviço de Assistência a Clientes EPSON.

- Impressora
- Rolos de papel (2)
- Cassete de fita
- Tampa do interruptor de ligação
- Tensor do rolo
- Etiqueta de aviso
- Parafusos hexagonais (2 unidades)
(apenas para a interface série)

Painel de controlo

Tecla de alimentação do recibo (RECEIPT FEED)

Pressione esta tecla para alimentar o papel de recibo; mantenha-a pressionada para alimentar o papel continuamente.

Tecla de alimentação do histórico/comprovativo (JOURNAL/SLIP FEED)

No modo de papel em rolo, alimenta o rolo de histórico. No modo de comprovativo (quando o indicador luminoso de comprovativo [SLIP] está aceso ou intermitente e o papel de comprovativo está inserido), alimenta o papel de comprovativo.

Indicador luminoso de ligação (POWER)

Acende quando a impressora está ligada.

Indicador luminoso de erro (ERROR)

Indica um erro.

Indicador luminoso de falta de recibo (RECEIPT OUT)

Indica que não tem papel de recibo ou que este está prestes a terminar.

Indicador luminoso de falta de histórico (JOURNAL OUT)

Indica que não tem rolo de histórico ou que este está prestes a terminar.

Indicador luminoso de comprovativo (SLIP)

Indica o modo de comprovativo. Fica intermitente enquanto aguarda a inserção ou remoção do comprovativo.

Remoção do amortecedor

A impressora está protegida durante o transporte por um amortecedor, que deve ser retirado antes de ligar a impressora.

Puxe o amortecedor para fora, conforme se indica na figura 1 da página 4.

Nota:

Reinstale o amortecedor antes de transportar a impressora.

Utilização da tampa do interruptor de ligação



ATENÇÃO:

Se ocorrer um acidente quando a tampa do interruptor de ligação estiver instalada, desligue imediatamente o cabo de alimentação. Se não o fizer, poderá provocar um incêndio.

A tampa do interruptor de ligação fornecida impede que o interruptor de ligação seja pressionado acidentalmente. Para utilizar esta tampa, instale-a conforme se indica na figura 2 da página 4.

Instalação dos rolos de papel

Nota:

Utilize apenas rolos de papel que satisfaçam as especificações requeridas.

1. Assegure-se de que a extremidade do papel está cortada a direito.
2. Ligue a impressora e abra a tampa da impressora.
3. Insira os rolos de papel na parte do recibo e do histórico da impressora, conforme se indica na figura 3 da página 4 (o rolo de histórico está à direita na figura).
4. Insira a ponta do papel de cada um dos rolos na entrada de papel e empurre-a até que seja detectada automaticamente e alimentada pela impressora. Veja a figura 4 da página 5.
5. Destaque o papel de recibo no dispositivo de corte. Se o papel não for alimentado o suficiente, pressione a tecla de alimentação do recibo (RECEIPT FEED) para alimentar mais papel.
6. Insira a ponta do papel de histórico na ranhura do tensor do rolo e rode o rolo duas ou três vezes para prender o papel. Veja a figura 5 da página 5. Se o papel não for alimentado o

suficiente, pressione a tecla de alimentação do histórico/comprovativo (JOURNAL/SLIP FEED) para alimentar mais papel.

7. Instale o tensor do rolo e feche a tampa da impressora.
8. Para retirar o rolo de histórico, levante primeiro o tensor do rolo e corte o papel. Em seguida, retire o tensor do rolo. Veja a figura 6 da página 5.
9. Tanto no caso do rolo de papel de histórico como no caso do rolo de recibo, pressione em seguida a alavanca de libertação (identificada com a palavra PRESS) do lado adequado da impressora, puxe o papel para fora e retire o rolo.

Inserção de papel de comprovativo

Notas:

Não utilize papel enrugado, dobrado ou enrolado.

Utilize apenas papel de comprovativo que corresponda às especificações da impressora.

Para evitar encravamentos de papel, instale ambos os rolos de papel na impressora, mesmo que tencione imprimir apenas em papel de comprovativo.

1. Quando o indicador luminoso de comprovativo (SLIP) ficar intermitente, insira o papel de comprovativo, utilizando a extremidade direita da entrada de papel de comprovativo como guia (veja a figura 7 da página 6).
2. Quando detecta o papel, a impressora puxa-o automaticamente e começa a imprimir.



IMPORTANTE:

Coloque a etiqueta de aviso exactamente na posição indicada. Se a colocar noutra local, por exemplo, sobre a entrada de papel de comprovativo, pode danificar a impressora.

Instalação da fita

Utilize a fita EPSON ERC-31. A utilização de outras cassetes de fita que não sejam aprovadas pela EPSON pode danificar a impressora e irá anular a garantia.

1. Ligue a impressora e abra a tampa da fita.

2. Rode o botão da cassete de fita 2 ou 3 vezes na direcção da seta para eliminar qualquer folga, conforme se indica na figura 8 da página 6.
3. Insira a fita na impressora e rode o botão da cassete mais 2 ou 3 vezes para colocar a fita na posição correcta.
4. Certifique-se de que a fita fica instalada à frente da cabeça de impressão, sem vincos nem dobras.
5. Para retirar a cassete de fita, segure firmemente na lingueta da cassete e puxe-a para fora da impressora.

Utilização do leitor MICR opcional

O leitor de reconhecimento de caracteres de tinta magnética (MICR) opcional, instalado de fábrica, permite que a impressora leia os caracteres de tinta magnética (MICR) em cheques pessoais.



IMPORTANTE:

Para evitar encravamentos de papel, certifique-se de que ambos os rolos estão instalados. Não insira cheques com agrafos; não insira cheques com vincos.

1. O indicador luminoso de comprovativo (SLIP) fica intermitente.
2. Insira o cheque com a parte da frente virada para baixo e com os caracteres MICR voltados para o lado direito.
3. Insira o cheque a direito na entrada, utilizando a extremidade direita da entrada como guia, até encontrar resistência. Veja a figura 9 da página 7.
4. A impressora começa a puxar o cheque. Solte o cheque imediatamente. O indicador luminoso de comprovativo (SLIP) deixa de estar intermitente e fica aceso.
5. Quando a leitura MICR terminar, a impressora ejecta o cheque e o indicador luminoso de comprovativo (SLIP) fica intermitente novamente.
6. Retire o cheque puxando-o para fora a direito (e não inclinado). O indicador luminoso de comprovativo (SLIP) apaga.

Limpeza do mecanismo MICR opcional

Limpe a cabeça MICR e o rolo MICR a cada 6000 passagens ou uma vez por mês.

Nota:

Se se deparar frequentemente com erros de leitura MICR, utilize o procedimento indicado em seguida.

Para a cabeça MICR

Utilize uma folha de limpeza humedecida, como o cartão de limpeza para leitores de cheques da marca PRESAT (KIC) ou outra folha de limpeza equivalente disponível no mercado.

Para o rolo de alimentação MICR

Utilize uma folha de limpeza autocolante da EPSON. Contacte o Serviço de Assistência a Clientes EPSON.

Procedimento de limpeza

Utilize este procedimento para ambas as folhas de limpeza.

1. Coloque os dois rolos de papel na impressora; em seguida, desligue a impressora.
2. Abra a tampa frontal e ligue a impressora novamente, pressionando, ao mesmo tempo, a tecla de histórico/comprovativo (JOURNAL/SLIP).
3. Pressione a tecla de histórico/comprovativo (JOURNAL/SLIP) 3 vezes.
4. Feche a tampa frontal (o indicador luminoso de comprovativo [SLIP] fica intermitente).
5. Siga as instruções indicadas na folha de limpeza. A folha de limpeza deve ser inserida da mesma maneira que um cheque normal.
6. Quando a folha for ejetada, retire-a da impressora; em seguida, desligue a impressora.

Resolução de problemas

Os indicadores luminosos do painel de controlo não acendem

Verifique as ligações do cabo de alimentação e da tomada eléctrica. Se a tomada for controlada por um interruptor ou por um temporizador, utilize outra tomada.

O indicador luminoso de erro (ERROR) está aceso (não intermitente) e nada é impresso

Se o indicador de falta de recibo (RECEIPT OUT) ou de falta de histórico (JOURNAL OUT) estiver **aceso**, o rolo de papel não está instalado ou está prestes a terminar. Se estes indicadores luminosos estiverem **apagados**, a tampa não está fechada correctamente.

O indicador luminoso de erro (ERROR) está intermitente e nada é impresso (mas não existe nenhum encravamento de papel)

A cabeça de impressão pode estar excessivamente quente. A impressão recomeça quando a cabeça de impressão arrefece. Se isto não acontecer, desligue a impressora durante 10 segundos e ligue-a novamente. Se o problema persistir, contacte o Serviço de Assistência a Clientes EPSON.

A impressora parece estar a imprimir, mas nada é impresso

Verifique se a fita está correctamente instalada ou se está gasta.

Falta uma linha de pontos

A cabeça de impressão pode estar danificada. Interrompa a impressão e contacte o Serviço de Assistência a Clientes EPSON.

Remoção de papel encravado



IMPORTANTE:

Não toque na cabeça de impressão, pois esta fica muito quente após a impressão.

1. Desligue a impressora e abra a tampa da impressora.
2. No caso de encravamento do rolo de papel de histórico, corte o papel com uma tesoura ou uma faca, conforme se indica na figura **10** da página 9, e retire o tensor do rolo.

3. Corte o papel dos rolos conforme se indica na figura **11** da página 9.
4. Se o papel ficar preso no dispositivo de corte automático, abra a lâmina do dispositivo de corte rodando o mecanismo na direcção indicada na figura **12** na página 9.
5. Coloque a alavanca de abertura ↔ bloqueio (OPEN ↔ LOCK) existente de cada lado da impressora na direcção indicada na figura **13** da página 9; o dispositivo de corte abre automaticamente.
6. Puxe cuidadosamente o papel para fora. Se este se rasgar, retire todos os pedaços.
7. Se necessário, retire a tampa da cabeça de impressão. Afrouxe o parafuso do lado direito, conforme se indica na figura **14** da página 9 (coloque-o de novo deslizando a lingueta existente na abertura e aperte o parafuso).
8. Depois de extrair todos os pedaços de papel, feche e bloqueie a unidade do dispositivo de corte (bloqueie ambos os fechos) e reinstale os rolos de papel.

Características técnicas da TM-U950

Método de impressão	Matriz de pontos de impacto série
Configuração das agulhas da cabeça	Linha vertical de 9 agulhas, 0,353 mm de densidade da agulha, 0,29 mm de diâmetro da agulha
Direcção de impressão	Bidireccional, impressão à distância mínima
Largura de impressão	Papel em rolo: 61,1 mm; papel de comprovativo: 135,6 mm
Caracteres por linha (predefinidos)	9 × 9: papel em rolo = 30; papel de comprovativo = 66 7 × 9: papel em rolo = 40; papel de comprovativo = 88
Espaçamento entre caracteres (predefinido)	9 × 9: 3 pontos (meios pontos); 7 × 9: 2 pontos (meios pontos)
Velocidade de impressão	Alta velocidade — 9 × 9: 233 caracteres/segundo 7 × 9: 311 caracteres/segundo
	Baixa velocidade — 9 × 9: 200 caracteres/segundo 7 × 9: 267 caracteres/segundo
Velocidade de alimentação do papel	Aprox. 60,3 ms/linha (alimentação de 4,23 mm); Aprox. 86,36 mm/segundo de alimentação contínua
Espaçamento entre linhas (predefinido)	4,23 mm
Número de caracteres	Caracteres alfanuméricos: 95; Caracteres internacionais: 32 Gráficos ampliados: 128 × 9 páginas (incluindo espaços por página)
Estrutura do carácter	9 × 9 ou 7 × 9
Rolo de papel (camada única)	Tamanho: Largura: 69,5 ± 0,5 mm Diâmetro externo máximo: 83 mm Diâmetro interno do tensor do rolo de papel: 10 mm ou mais
Papel de comprovativo	Normal, papel químico e sensível à pressão

Características técnicas da TM-U950

Número de cópias por comprovativo	Original + 4 (de 20 a 40 °C) Original + 1 a 3 cópias (de 5 a 40 °C)
Espessura total do comprovativo	0,09 a 0,36 mm
Cassete de fita	ERC-31
Tamanho da memória de recepção	32 bytes ou 2 KB, dependendo do ajuste do interruptor DIP
Fonte de alimentação	+24 VCC ± 10%
Consumo de corrente (a 24 V)	Impressão de papel de recibo e de histórico (40 colunas): Médio: aprox. 1,8 A (caracteres alfanuméricos) Pico: aproximadamente 8,0 A Alimentação de papel de comprovativo para a posição inicial de impressão ou leitura MICR: Médio: aprox. 2,3 A para aprox. 1,4 segundo
Vida útil	Mecanismo: 7.500.000 linhas Cabeça de impressão: 150 milhões de caracteres Fita: 7.000.000 caracteres MICR: 240.000 passagens
MTBF	180.000 horas
MCBF	18.000.000 linhas
Temperatura	Em funcionamento: 5 a 40 °C Em armazém: -10 a 50 °C, excepto para a fita
Humidade	Em funcionamento: 30 a 80% de humidade relativa Em armazém: 30 a 90% de humidade relativa
Dimensões gerais	194,5 × 251 × 298 mm (A × L × P)
Peso	Aproximadamente 5,6 kg

Impresso no Japão 1999.12

TM-U950

Manual del usuario

Los interruptores DIP

Vea la información sobre la fijación de los interruptores DIP en el interior de la portada de este manual.

Ilustraciones

Este manual se divide en 7 secciones, una para cada idioma. La mayoría de las ilustraciones aparecen en la primera sección, y no se repiten. Sin embargo, cada sección hace referencia a las páginas de las ilustraciones.

Piezas de la impresora

1. tapa de la impresora
2. panel de control
3. recogedor de papel
4. interruptor de alimentación
5. botón para abrir la tapa

Se reservan todos los derechos. Ninguna porción de esta publicación podrá reproducirse, guardarse en un sistema de recuperación de datos o transmitirse en forma o modo alguno, sea electrónico, mecánico, fotocopiado, grabado o de otra forma, sin el permiso previo y por escrito de SEIKO EPSON Corporation. No se asume responsabilidad de patente con respecto al uso de la información contenida aquí. Si bien se han tomado todas las precauciones en la preparación de este libro, SEIKO EPSON Corporation no asume ninguna responsabilidad por errores u omisiones. Tampoco asume responsabilidad alguna que surja por el uso de la información contenida aquí.

Ni SEIKO EPSON Corporation ni sus compañías afiliadas serán responsables ante el comprador de este producto o ante terceros por daños, pérdidas, costos, o gastos incurridos por el comprador o por terceros como resultado de: accidente, uso indebido, o abuso de este producto o de modificaciones, reparaciones o alteraciones no autorizadas de este producto, o (excluyendo a los EE.UU.) por no cumplir estrictamente con las instrucciones de operación y mantenimiento de SEIKO EPSON Corporation.

SEIKO EPSON Corporation no será responsable de cualquier daño o problema que surja por el uso de cualquier opción o producto de consumo que no esté designado como Producto EPSON Original o Aprobado por SEIKO EPSON Corporation.

EPSON y ESC/POS son marcas registradas de SEIKO EPSON Corporation.

AVISO: El contenido de este manual está sujeto a cambios sin previo aviso.

Copyright © 1995, 1998, 2001 SEIKO EPSON Corporation, Nagano, Japón.

Se aplican las normas EMC y de seguridad

Nombre del producto: TM-U950/U950P

Nombre del modelo: M62UA/M114A

Las siguientes normas se aplican solamente a las impresoras que estén marcadas con las correspondientes etiquetas. (Las normas EMC se prueban usando la fuente de alimentación eléctrica EPSON PS-170.)

Europa:	Marcado	CE
	Seguridad:	NE 60950
América del Norte:	EMI:	FCC/ICES-003 Clase A
	Seguridad:	UL 1950/CSA C22.2 No. 950
Japón:	EMC:	VCCI Clase A
Oceanía:	EMC:	AS/NZS 3548

ADVERTENCIA

La conexión de un cable de interface no blindado a esta impresora invalidará las normas EMC de este dispositivo. Se le advierte que los cambios o modificaciones no aprobados expresamente por SEIKO EPSON Corporation podrían anular la autorización que tiene usted para operar el equipo.

Marcado CE

La impresora se ajusta a las siguientes Directivas y Normas:

Directiva 89/336/CEE	NE 55022 Clase B NE 55024 IEC 61000-4-2 IEC 61000-4-3 IEC 61000-4-4 IEC 61000-4-5 IEC 61000-4-6 IEC 61000-4-8 IEC 61000-4-11
Directiva 90/384/CEE	NE 45501

Declaración de cumplimiento de las normas de FCC para usuarios de los Estados Unidos

Este equipo ha sido probado y se ha verificado que cumple con los límites para un dispositivo digital de Clase A, de acuerdo con la Parte 15 de las Reglamentaciones de FCC. Estos límites han sido establecidos para proveer una protección razonable contra las interferencias perjudiciales cuando el equipo se utiliza en un entorno comercial.

Este equipo genera, utiliza, y puede radiar energía de radiofrecuencia y, de no ser instalado y utilizado de acuerdo con el manual de instrucciones, puede causar interferencias perjudiciales en las comunicaciones por radio. Es probable que el uso de este equipo en una zona residencial cause interferencias perjudiciales, en cuyo caso el usuario deberá corregir las interferencias a su propia costa.

Precauciones de Seguridad

En esta sección, se presenta información importante cuyo propósito es cerciorarse de un uso seguro y efectivo de este producto. Por favor, lea esta sección con cuidado y guárdela en un lugar accesible.



ADVERTENCIA:

Apague su equipo de inmediato si éste produce humo, un olor raro, o un ruido inusual. El seguir utilizándolo podría ocasionar un incendio. Desenchufe el equipo de inmediato y comuníquese con su distribuidor o con un servicio técnico EPSON.

Nunca trate de reparar este producto usted mismo. Una reparación incorrecta puede ser peligrosa.

Nunca desmonte o modifique este producto. La manipulación de este producto puede causar lesiones o un incendio.

Cerciórese de usar la fuente de alimentación eléctrica especificada. La conexión a una fuente de alimentación eléctrica inadecuada puede causar un incendio.

No deje que materiales extraños caigan dentro del equipo, ya que podría provocar un incendio.

Si se derrama agua o algún otro líquido dentro del equipo, desenchufe el cable eléctrico inmediatamente, y después comuníquese con su distribuidor o con un servicio técnico EPSON. El seguir usándolo podría causar un incendio.



PRECAUCIÓN:

No conecte los cables en formas que difieran a las mencionadas en este manual. Conexiones diferentes podrían causar daños e incendios.

Cerciórese de poner este equipo sobre una superficie firme, estable, horizontal. El producto se puede romper o causar lesiones si se cae.

No lo use en lugares sujetos a altos niveles de humedad o de polvo. El exceso de humedad o de polvo podría causar daños o incendios al equipo.

No ponga objetos pesados encima de este producto. Nunca se apoye sobre este producto. El equipo podría caerse, causando roturas y posibles lesiones.

Por razones de seguridad, por favor desenchufe este producto antes de dejarlo sin usar por un largo periodo de tiempo.

Etiquetas de precauciones



ADVERTENCIA:

No conecte una línea telefónica al conector de apertura del cajón ni al conector del módulo de visualización; si lo hace, se pueden dañar la impresora y la línea de teléfono.



PRECAUCIÓN:

El cabezal impresor está caliente.

Desembalaje

Se incluyen los siguientes artículos con la impresora estándar. Si algún artículo estuviera dañado, póngase en contacto con su distribuidor.

- Impresora
- Rollos de papel (2)
- Cartucho de cinta
- Tapa del interruptor de alimentación
- Recogedor de papel
- Etiqueta de precaución
- Tornillos hexagonales de seguridad (2)
(sólo para la interface serie)

Panel de control

Botón de alimentación de recibos (RECEIPT FEED)

Presiónelo para alimentar el papel de recibos; manténgalo presionado para alimentar el papel en forma continua.

Botón de alimentación de diario/documento (JOURNAL/SLIP FEED)

En el modo de rollo de papel, alimenta el rollo de papel del diario (para contabilidad). En el modo de documento (cuando el indicador SLIP está encendido o parpadeando y se ha insertado un documento), alimenta el papel del documento.

Indicador de alimentación (POWER LED)

Encendido cuando la impresora está encendida.

Indicador de ERROR

Indica un error.

Indicador de falta de recibos (RECEIPT OUT)

Indica que el rollo de papel de recibos se acabó o se está terminando.

Indicador de falta de diario (JOURNAL OUT)

Indica que el rollo de papel de diario se acabó o se está terminando

Indicador de documentos (SLIP)

Indica el modo de documento. Parpadea mientras espera a que se inserte o se saque un documento.

Retirar el protector de transporte

La impresora está protegida durante su envío por un protector de transporte que usted tiene que quitar antes de encenderla.

Tire del protector para sacarlo, como se muestra en la ilustración 1 en la página 4.

Nota:

Antes de transportar la impresora, vuelva a instalar el protector.

Uso de la tapa del interruptor de alimentación



ADVERTENCIA:

Si ocurre un accidente cuando esté puesta la tapa del interruptor de la alimentación, desenchufe el cable eléctrico de inmediato. Seguir usándola podría causar un incendio.

La tapa del interruptor de alimentación adjunta es para asegurarse de que el interruptor de alimentación no se presione accidentalmente. Para usar esta tapa, instálela como se muestra en la ilustración 2 en la página 4.

Instalación de los rollos de papel

Nota:

Use únicamente rollos de papel que cumplan con las especificaciones.

1. Cerciórese de que el extremo del papel esté recto.
2. Encienda la impresora y abra la tapa de la impresora.
3. Inserte los dos rollos de papel, el de recibos y el del diario, en la impresora, como se muestra en la ilustración 3 en la página 4. (El rollo de diario está a la derecha en esta ilustración.)
4. Inserte el extremo de papel de cada rollo en la ranura del papel que le corresponda y empújelo hasta que sea detectado y alimentado automáticamente en la impresora. Vea la ilustración 4 en la página 5.
5. Recorte el papel de recibos en el cortador. Si no se alimentó suficiente papel, presione el botón de alimentación de recibos (RECEIPT FEED) para avanzar más papel.
6. Inserte el extremo de papel del diario en la ranura del recogedor de papel y gire el recogedor dos o tres veces para asegurar el papel. Vea la ilustración 5 en la página 5. Si no se

alimentó suficiente papel, presione el botón de alimentación de diario/documento (JOURNAL/SLIP FEED) para avanzar más papel.

7. Instale el recogedor de papel y cierre la tapa de la impresora.
8. Para sacar el rollo del papel de diario, primero levante el recogedor de papel y recorte el papel. Después extraiga el recogedor. Vea la ilustración **6** en la página 5.
9. Para cualquiera de los dos rollos, del diario o de recibos, presione la palanca de liberación (marcada con la palabra presionar: PRESS) en el lado correspondiente de la impresora, saque el papel de la ranura y extraiga el rollo.

Inserción del papel de documentos

Notas:

No use papel arrugado, doblado o rizado.

Use únicamente papel de documentos que coincida con las especificaciones de la impresora.

Para evitar atascos de papel, instale los dos rollos de papel en la impresora aunque vaya a imprimir únicamente en el papel de documentos.

1. Cuando el indicador de documentos (SLIP) parpadee, inserte el documento usando como guía el borde derecho de la ranura para documentos. Vea la ilustración **7** en la página 6.
2. Cuando la impresora detecta el papel, tira de él automáticamente hacia adentro y empieza a imprimir.



PRECAUCIÓN:

Asegúrese de poner la etiqueta de precaución exactamente en la posición indicada. Si la pone en otro lugar, por ejemplo, sobre la ranura para el papel de documentos, podría dañarse la impresora.

Instalación de una cinta

Recomendamos la utilización de la cinta EPSON ERC-31. El uso de cualesquiera otros cartuchos de cinta que no sean los homologados por EPSON podría dañar la impresora.

1. Encienda la impresora y abra la tapa de la cinta.
2. Gire el botoncillo del cartucho de cinta 2 ó 3 veces en la dirección de la flecha, como se muestra en la ilustración **8** en la página 6, para tensar la cinta.

3. Inserte la cinta en la impresora y gire el botoncillo del cartucho 2 ó 3 veces más para colocar la cinta en la posición correcta.
4. Asegúrese de que la cinta esté instalada frente al cabezal impresor y sin arrugas ni dobleces.
5. Para extraer el cartucho de cinta, sujételo por la lengüeta y tire de él hacia afuera.

Uso de la lectora MICR (Opción)

La lectora opcional de reconocimiento de caracteres por tinta magnética (MICR), instalada de fábrica, le permite a la impresora leer la tinta MICR de los cheques personales.



PRECAUCIÓN:

Para evitar atascos de papel, asegúrese de que los dos rollos de papel estén instalados. No inserte cheques con grapas ni arrugados.

1. El indicador de documentos SLIP parpadea.
2. Inserte el cheque cara abajo, con los caracteres MICR en el lado derecho.
3. Inserte el cheque directamente en la ranura alineándolo con el borde derecho, hasta que el cheque llegue al fondo. Vea la ilustración 9 en la página 7.
4. La impresora empieza a tirar del cheque hacia adentro. Suéltelo inmediatamente. El indicador de documentos (SLIP) pasa de parpadeo a iluminación constante.
5. Al completarse la lectura MICR, la impresora expulsa el cheque y el indicador de documentos (SLIP) empieza a parpadear de nuevo.
6. Extraiga el cheque tirando de él en línea recta (no en ángulo). El indicador de documentos (SLIP) se apaga.

Limpeza del mecanismo MICR opcional

Limpe el cabezal MICR y el rodillo MICR cada 6,000 pasadas o una vez al mes.

Nota:

Si se producen errores frecuentes de lectura con la MICR, siga los pasos siguientes.

Para el cabezal MICR

Use una hoja de limpieza humedecida, de las que se pueden adquirir en el mercado «Tarjeta de Limpieza de la Lectora de Cheques».

Para el rodillo de alimentación MICR

Use una hoja adhesiva de limpieza EPSON. Póngase en contacto con su distribuidor.

Procedimiento de limpieza

Utilice este procedimiento con las dos hojas de limpieza.

1. Póngale los dos rollos de papel a la impresora y después apáguela.
2. Abra la tapa frontal y vuelva a encender la corriente mientras mantiene pulsado el botón de diario/documento (JOURNAL/SLIP).
3. Presione el botón JOURNAL/SLIP 3 veces.
4. Cierre la tapa frontal [el indicador de documentos (SLIP) parpadea].
5. Siga las instrucciones de la hoja de limpieza. La hoja de limpieza se inserta igual que un cheque normal.
6. Cuando se expulse la hoja, sáquela de la impresora; después desactive la impresora.

Solución de problemas

No se encienden las luces del panel de control

Revise el cable de la alimentación y la toma de corriente. Si la toma de corriente está controlada por un interruptor o por un temporizador, use otra toma.

El indicador ERROR está encendido (no parpadeando), y no hay impresión

Si el indicador RECEIPT OUT o JOURNAL OUT está **encendido**, es que no está instalado uno de los rollos de papel o se está acabando. Si estos indicadores están **apagados**, es que la tapa no está cerrada correctamente.

El indicador ERROR está parpadeando sin haber impresión (y sin atasco de papel)

El cabezal impresor podría estar sobrecalentado. La impresión se reanuda después de que se enfríe el cabezal impresor. Si esto no ocurre, apague la impresora durante 10 segundos y después vuélvala a encender. Si el problema persiste, póngase en contacto con un servicio técnico oficial.

La impresora parece que está imprimiendo, pero no imprime nada

Compruebe la instalación del cartucho de cinta y su desgaste.

Falta una línea de puntos

El cabezal impresor podría estar dañado. Suspenda la impresión y póngase en contacto con un servicio técnico oficial.

Solucionar un atasco de papel

**PRECAUCIÓN:**

No toque el cabezal impresor porque éste podría estar muy caliente después de imprimir.

1. Apague la impresora y abra la tapa de la impresora.
2. Para un atasco del papel del rollo de diario, córtelo con unas tijeras o cuchilla, como se muestra en la ilustración **10** en la página 9, y extraiga el recogedor de papel.
3. Corte el papel del rollo como se muestra en la ilustración **11** de la página 9.
4. Si el papel está atascado en el cortador automático, abra la cuchilla del cortador girando el engranaje en la dirección que se muestra en la ilustración **12** de la página 9.
5. Mueva la palanca de bloqueo (OPEN ↔ LOCK), a cada lado de la impresora, hacia atrás tal como se indica en la ilustración **13** de la página 9; el cortador se abre automáticamente.
6. Saque el papel con cuidado. Si se rompe, retire los trozos.
7. Si fuese necesario, extraiga la tapa del cabezal impresor. Afloje el tornillo del lado derecho como se muestra en la ilustración **14** en la página 9. (Vuelva a colocar la tapa deslizando la lengüeta dentro de la ranura, y apretando el tornillo.)

8. Después de retirar todo el papel, cierre y bloquee la unidad del cortador (bloquee ambos cierres), y vuelva a instalar los rollos de papel.

Especificaciones de la TM-U950

Método de impresión	Impacto serie por matriz de puntos
Configuración de agujas en el cabezal	Línea vertical de 9 agujas, paso de la aguja 0.353 mm, diámetro de la aguja 0.29 mm.
Dirección de la impresión	Bidireccional, mínima distancia de impresión
Ancho de la impresión	Papel de rollo: 61.1 mm; papel de documentos: 135.6 mm
Caracteres por línea (por defecto)	9 × 9: papel de rollo = 30; papel de documentos = 66 7 × 9: papel de rollo = 40; papel de documentos = 88
Espaciado de caracteres (por defecto)	9 × 9: 3 puntos (medios puntos); 7 × 9: 2 puntos (medios puntos)
Velocidad de impresión	Alta velocidad — 9 × 9: 233 caracteres/segundo 7 × 9: 311 caracteres/segundo Baja velocidad — 9 × 9: 200 caracteres/segundo 7 × 9: 267 caracteres/segundo
Velocidad de la alimentación de papel	Aprox. 60.3 ms/línea (4.23 mm de alimentación); Aprox. 86.36 mm/segundo alimentación continua
Espaciado entre líneas (por defecto)	4.23 mm
Número de caracteres	Caracteres alfanuméricos: 95; Caracteres internacionales: 32 Gráficos ampliados: páginas 128 × 9 (incluyendo páginas de espacio)
Estructura de caracteres	9 × 9 ó 7 × 9
Rollo de papel (una capa)	Tamaño: Ancho: 69.5 ± 0.5 mm Diámetro externo máximo: 83 mm Diámetro interno del recogedor del rollo de papel: 10 mm o más
Papel de documentos	Normal, copia carbón, y sensible a la presión
Número de copias para el documento:	Original + 4 (entre los 20 y 40° C) Original + 1 a 3 copias (entre los 5 y 40° C)
Espesor total del documento	De 0.09 a 0.36 mm
Cartucho de cinta	ERC-31
Tamaño de la memoria intermedia	32 bytes ó 2 KB, dependiendo de la fijación de los interruptores DIP
Tensión de alimentación	+24 V de C.C. ±10 %
Consumo: (a 24 V)	Impresión de papel de recibos y de libro diario (40 columnas): Media: Aprox. 1.8 A (caracteres alfanuméricos) Máxima: Aproximadamente 8.0 A Alimentación del papel de documentos a la posición inicial o a la lectura MICR: Media: Aprox. 2.3 A durante aprox. 1.4 segundos
Vida	Mecanismo: 7,500,000 líneas Cabezal impresor: 150 millones de caracteres Cinta: 7,000,000 caracteres MICR: 240,000 pasadas

Especificaciones de la TM-U950

MTBF (Tiempo medio entre averías)	180.000 horas
MCBF	18.000.000 líneas
Temperatura	Funcionamiento: De 5 a 40° C Almacenaje: De -10 a 50° C, excepto por la cinta
Humedad	Funcionamiento: De 30 a 80 % HR Almacenaje: De 30 a 90 % HR
Dimensiones totales	194.5 × 251 × 298 mm (H × A × P)
Peso	Aproximadamente 5.6 kg

Impreso en Japón 1999.12

TM-U950

Manuale dell'utente

Dell'interruttore DIP

Per informazioni sulle impostazioni dell'interruttore DIP, vedere la seconda di copertina di questo manuale.

Figure

Questo manuale è diviso in 7 sezioni, una per ogni lingua. La maggior parte delle figure si trova nella prima sezione e non è ripetuta. Tuttavia, ogni sezione contiene i riferimenti alle pagine per le figure.

Parti della stampante

1. copertura della stampante
2. pannello di controllo
3. rocchetto avvolgitore
4. interruttore dell'alimentazione
5. pulsante di apertura della copertura

Tutti i diritti riservati. Nessuna parte di questa pubblicazione può essere riprodotta, memorizzata in un sistema di reperimento, né trasmessa in qualsiasi forma o con qualsiasi mezzo (elettronico, meccanico, fotocopia, registrazione o altro) senza la preventiva autorizzazione scritta della Seiko Epson Corporation. Viene esclusa ogni responsabilità di brevetto rispetto all'uso delle informazioni contenute in questa pubblicazione. Malgrado questo manuale sia stato preparato con la massima cura, la Seiko Epson Corporation non si assume alcuna responsabilità per eventuali errori o omissioni in esso contenuti, né per eventuali danni risultanti dall'uso delle informazioni contenute in questo manuale.

Né la Seiko Epson Corporation, né alcuna delle sue affiliate, sarà ritenuta responsabile verso l'acquirente di questo prodotto, o terze parti, di eventuali danni, perdite, costi o spese sostenuti dall'acquirente o terze parti risultanti da: incidente, uso improprio o abuso di questo prodotto, o da modifiche non autorizzate, riparazioni, alterazioni a questo prodotto, oppure (esclusi gli Stati Uniti d'America) dalla totale inosservanza delle istruzioni per l'uso e la manutenzione impartite dalla Seiko Epson Corporation.

La Seiko Epson Corporation non sarà responsabile di alcun danno o problema insorto dall'uso di qualsiasi accessorio opzionale o di prodotti consumabili diversi da quelli designati dalla Seiko Epson Corporation come Prodotti originali Epson o Prodotti approvati dalla Epson.

EPSON e ESC/POS sono marchi registrati di Seiko Epson Corporation.

AVVISO: il contenuto di questo manuale è soggetto a cambiamenti senza preavviso.

Copyright © 1995, 1998, 2001 Seiko Epson Corporation, Nagano, Giappone.

Standard EMC e di sicurezza applicati a questi prodotti

Nome del prodotto: TM-U950/U950P

Nome del modello: M62UA/M114A

Gli standard seguenti sono stati applicati solo alle stampanti così etichettate (L'EMC è verificata usando l'alimentatore EPSON PS-170).

Europa:	Contrassegno CE
	Sicurezza: EN 60950
Nord America:	EMI: FCC/ICES-003
	Classe A
	Sicurezza: UL 1950/CSA C22.2
	n. 950
Giappone:	EMC: VCCI Classe A
Oceania:	EMC: AS/NZS 3548

Contrassegno CE

La stampante è conforme alle direttive e norme seguenti:

Direttiva 89/336/EEC	EN 55022 Classe B
	EN 55024
	IEC 61000-4-2
	IEC 61000-4-3
	IEC 61000-4-4
	IEC 61000-4-5
	IEC 61000-4-6
	IEC 61000-4-8
	IEC 61000-4-11
Direttiva 90/384/EEC	EN 45501

AVVERTENZA

Il collegamento a questa stampante di un cavo d'interfaccia di stampante non schermato renderà non validi gli standard EMC di questa periferica. Si informa che cambiamenti o modifiche non espressamente approvati dalla SEIKO EPSON CORPORATION possono rendere nullo il diritto di usare il prodotto.

Precauzioni di sicurezza

Questa sezione contiene informazioni importanti per l'uso efficiente e sicuro di questo prodotto. Leggere attentamente questa sezione e conservarla in un luogo prontamente accessibile.



AVVERTENZA:

Spegnerne immediatamente l'unità se produce fumo, un odore strano o un rumore inconsueto. L'uso continuato potrebbe costituire causa d'incendio. Staccare immediatamente la spina dell'unità e rivolgersi al rivenditore o alla SEIKO EPSON per assistenza in merito.

Non riparare mai da soli questa unità. La riparazione impropria potrebbe creare un pericolo.

Non smontare né modificare mai questo prodotto. La manomissione del prodotto potrebbe causare lesioni personali, incendio.

Accertarsi di usare la fonte di alimentazione specificata. Il collegamento del prodotto ad una fonte di alimentazione impropria potrebbe causare incendio.

Evitare che nell'unità entrino corpi estranei. Questi potrebbero causare incendio.

Se acqua o altri liquidi cadono accidentalmente nell'unità, staccare immediatamente il cavo di alimentazione, quindi rivolgersi per consigli al rivenditore o al centro di assistenza della SEIKO EPSON. L'uso continuato dell'unità potrebbe causare incendio.

**ATTENZIONE:**

Non collegare i cavi in alcun modo diverso da quello indicato in questo manuale. Collegamenti non corretti possono causare danni all'unità e ustioni personali.

Posare questa unità su una superficie piana, solida e stabile. Se cade, questa unità può rompersi o causare lesioni personali.

Non usare questa unità in ambienti soggetti ad un elevato tasso di umidità o polvere. L'umidità o la polvere eccessiva può causare danni all'unità o incendio.

Non mettere oggetti pesanti sopra questa unità. Non porsi sopra questa unità né appoggiarsi. L'unità potrebbe cadere e rompersi o causare lesioni personali.

Per motivi di sicurezza, staccare sempre la spina dell'unità prima di lasciarla incustodita per un lungo periodo di tempo.

Etichette di avvertimento**AVVERTENZA:**

Non collegare una linea telefonica al connettore del cassetto estraibile o al connettore del modulo display, altrimenti la stampante e la linea telefonica possono danneggiarsi.

**ATTENZIONE:**

La testina di stampa è molto calda.

Disimballaggio

Gli articoli seguenti sono inclusi con la stampante in configurazione standard. Se un articolo risulta danneggiato, rivolgersi al rivenditore della stampante.

- Stampante
- Rotoli della carta (2)
- Cassetta del nastro
- Copertura dell'interruttore dell'alimentazione
- Rocchetto avvolgitore
- Etichetta di avvertimento
- Viti di bloccaggio esagonali (2 viti) (solo per l'interfaccia seriale)

Pannello di controllo

Pulsante RECEIPT FEED

Premere per alimentare la carta delle ricevute; tenerlo premuto per alimentare in continuo.

Pulsante JOURNAL/SLIP FEED

In modo carta in rotolo, alimenta il rotolo del giornale di cassa. In modo foglio mobile (quando il LED SLIP è acceso o lampeggia e la carta a fogli mobili è inserita), alimenta la carta a fogli mobili.

LED POWER

Acceso quando la stampante è accesa.

LED ERROR

Indica un errore.

LED RECEIPT OUT

Indica che la carta per gli scontrinista per finire o è finita.

LED JOURNAL OUT

Indica che la carta del rotolo del giornale di cassa sta per finire o è finita.

LED SLIP

Indica il modo foglio mobile. Lampeggia in attesa che un foglio mobile venga inserito o rimosso.

Rimozione del dispositivo di protezione

Durante la spedizione, la stampante è protetta da un dispositivo che deve essere rimosso prima di accenderla.

Estrarre il dispositivo, come mostrato nella figura 1 a pagina 4.

Nota:

Prima di spedire la stampante, reinstallare il dispositivo di protezione.

Uso della copertura dell'interruttore dell'alimentazione



AVVERTENZA:

Se la stampante subisce un incidente e la copertura dell'interruttore dell'alimentazione è installata, staccare immediatamente il cavo di alimentazione. L'uso continuato della stampante può causare un incendio.

La copertura dell'interruttore dell'alimentazione, fornita con il prodotto, assicura che l'interruttore non venga premuto accidentalmente. Per usare questa copertura, installarla così come mostrato nella figura 2 a pagina 4.

Installazione dei rotoli della carta

Nota:

Usare solamente rotoli che soddisfano le specifiche della stampante.

1. Verificare che il bordo d'entrata della carta sia diritto.
2. Accendere la stampante e aprire la copertura della stampante.
3. Inserire i rotoli della carta su entrambi i lati delle ricevute e del giornale della stampante, come mostrato nella figura 3 a pagina 4. (In questa figura, il rotolo del giornale è a destra).
4. Di ogni rotolo, inserire il bordo della carta nella relativa entrata e spingere la carta fino a quando viene automaticamente individuata e alimentata nella stampante. Vedere la figura 4 a pagina 5.
5. Strappare la carta delle ricevute sulla tagliarina. Se la carta non è stata alimentata nella lunghezza sufficiente, premere il pulsante RECEIPT FEED per alimentare maggiormente la carta.
6. Inserire il bordo della carta del giornale nella scanalatura sul rocchetto avvolgitore e ruotare due-tre volte il rocchetto per serrare la carta. Vedere la figura 5 a pagina 5. Se la carta alimentata non è sufficiente, premere il pulsante JOURNAL/SLIP FEED per alimentarne di più.
7. Installare il rocchetto avvolgitore e chiudere la copertura della stampante.
8. Per rimuovere il rotolo della carta del giornale, sollevare prima il rocchetto avvolgitore e tagliare la carta, quindi rimuovere il rocchetto avvolgitore. Vedere la figura 6 a pagina 5.
9. Sia per rotolo della carta delle ricevute che per quello del giornale, premere la leva di rilascio (indicata con PRESS) sul lato appropriato della stampante, tirare fuori la carta e rimuovere il rotolo.

Inserimento della carta a fogli mobili

Note:

Non usare carta grinzosa, piegata o arricciata.

Usare solamente un tipo di carta che soddisfi le specifiche della stampante.

Per evitare inceppamenti della carta, installare entrambi i tipi di rotoli della carta nella stampante, anche se si prevede di usare solamente la carta delle ricevute.

1. Quando il LED SLIP lampeggia, inserire la carta a fogli mobili, usando come guida il margine destro dell'apertura d'entrata della carta a fogli mobili. Vedere la figura **7** a pagina 6.
2. Quando rileva la presenza della carta, la stampante preleva automaticamente la carta e comincia a stampare.

**ATTENZIONE:**

Ricordarsi di mettere l'etichetta di avvertimento esattamente nella posizione mostrata. Se l'etichetta viene messa in un posto diverso, quale ad esempio sopra l'entrata della carta a fogli mobili, la stampante potrebbe danneggiarsi.

Installazione della cassetta del nastro

Usare la cassetta EPSON ERC-31. L'uso di cassette diverse da quelle approvate dalla EPSON può danneggiare la stampante e renderà nulla la garanzia.

1. Accendere la stampante e aprire la copertura del nastro.
2. Per rimuovere l'eventuale allentamento del nastro, ruotare 2 o 3 volte la manopola della cassetta nella direzione indicata dalla freccia illustrata nella figura **8** a pagina 6.
3. Inserire il nastro nella stampante e ruotare altre 2 o 3 volte la manopola della cassetta per mettere il nastro nella posizione corretta.
4. Verificare che il nastro sia installato davanti alla testina di stampa, senza pieghe o grinze.
5. Per rimuovere la cassetta del nastro, afferrare la linguetta e estrarre la cassetta dalla stampante.

Uso del lettore MICR (opzionale)

Il lettore opzionale dei caratteri a inchiostro magnetico (MICR), installato dalla fabbrica, permette alla stampante di leggere l'inchiostro MICR sugli assegni bancari.



ATTENZIONE:

Per evitare inceppamenti della carta, installare entrambi i rotoli della carta. Non inserire gli assegni con le graffette attaccate su di essi. Non inserire assegni grinzosi.

1. La spia luminosa SLIP lampeggia.
2. Inserire l'assegno capovolto, con i caratteri MICR sul lato destro.
3. Inserire l'assegno fino in fondo nell'apertura d'entrata, usando come guida il margine destro dell'apertura d'entrata. Vedere la figura 9 a pagina 7.
4. La stampante inizia a prendere l'assegno. Lasciare andare immediatamente l'assegno. Il LED SLIP si illumina in maniera fissa.
5. Quando la lettura MICR è terminata, la stampante espelle l'assegno e il LED SLIP riprende a lampeggiare.
6. Rimuovere l'assegno tirandolo diritto in fuori (non ad angolo). Il LED SLIP si spegne.

Pulizia del meccanismo MICR opzionale

Pulire la testina MICR e il rullo MICR dopo 6000 passate oppure una volta al mese.

Nota:

Se rilevate frequenti errori durante la lettura dei caratteri MICR, usate la procedura seguente.

Per la testina MICR

Usare un foglio detergente inumidito, quale ad esempio il prodotto marca PRESAT (KIC) "Check Reader Cleaning Card" o un altro simile disponibile in commercio.

Per il rullo di alimentazione MICR

Usare un foglio detergente adesivo disponibile dalla EPSON.
Rivolgersi al proprio rivenditore.

Procedura di pulizia

Usare questa procedura per entrambi i tipi di fogli detergenti.

1. Caricare entrambi i rotoli della carta nella stampante, quindi spegnere la stampante.
2. Aprire la copertura frontale e accendere di nuovo la stampante tenendo contemporaneamente premuto il pulsante JOURNAL/SLIP.
3. Premere 3 volte il pulsante JOURNAL/SLIP.
4. Chiudere la copertura frontale (il LED SLIP lampeggia).
5. Seguire le istruzioni riportate sul foglio detergente. Inserire il foglio detergente allo stesso modo in cui si inserisce un assegno.
6. Quando il foglio viene espulso, rimuoverlo dalla stampante, quindi spegnere la stampante.

Risoluzione dei problemi

Sul pannello di controllo nessuna spia luminosa è accesa

Controllare il cavo di alimentazione e la presa di corrente. Se la presa di corrente è controllata da un interruttore o da un timer, usare una diversa presa di corrente.

La spia luminosa **ERROR è accesa (non lampeggiante) senza stampa**

Se il LED RECEIPT OUT o JOURNAL OUT è **acceso**, il rotolo della carta non è installato o sta per finire. Se questi LED sono **spenti**, la copertura della stampante non è chiusa correttamente.

La spia luminosa **ERROR lampeggia senza stampa (e senza inceppamento della carta)**

Può darsi che la testina di stampa sia surriscaldata. La stampa riprende quando la testina si raffredda. Se ciò non si verifica, spegnere la stampante e riaccenderla dopo 10 secondi. Se il problema persiste, rivolgersi a un tecnico dell'assistenza qualificato.

Sembra che la stampante stampi, ma non viene stampato niente

Controllare l'installazione del nastro e le sue condizioni di usura.

Una linea di punti è mancante

Può darsi che la testina di stampa sia danneggiata. Interrompere la stampa e rivolgersi a un tecnico dell'assistenza qualificato.

Rimozione della carta inceppata



ATTENZIONE:

Non toccare la testina di stampa perché può essere molto calda dopo la stampa.

1. Spegnere la stampante e aprire la copertura della stampante.
2. Se è inceppata la carta del rotolo del giornale, tagliarla con le forbici o con un coltello, come mostrato nella figura **10** a pagina 9, quindi rimuovere il rocchetto avvolgitore.
3. Tagliare la carta dai rotoli della carta come mostrato nella figura **11** a pagina 9.
4. Se la carta è inceppata nella taglierina automatica, aprire la lama della taglierina ruotando l'ingranaggio nella direzione indicata nella figura **12** a pagina 9.
5. Spostare la leva OPEN ↔ LOCK su ciascun lato della stampante nella direzione indicata nella figura **13** a pagina 9; la taglierina si apre automaticamente.
6. Estrarre lentamente la carta. Se la carta si rompe, rimuovere tutti i pezzetti.
7. Se necessario, rimuovere la copertura della testina di stampa. Allentare le viti sulla destra, come mostrato nella figura **14** a pagina 9. (Rimettere a posto la copertura facendola scorrere la linguetta nella fessura, quindi avvitare la vite).

8. Dopo aver rimosso tutta la carta, chiudere e bloccare la tagliarina (bloccare entrambi i fermi) e installare di nuovo entrambi i rotoli.

Specifiche della stampante TM-U950

Metodo di stampa	Matrice seriale ad impatto di punti
Configurazione del filo della testina	linea verticale di 9 aghi, passo del filo 0,353 mm, diametro del filo 0,29 mm
Direzione della stampa	Bidirezionale, stampa a distanza minima
Larghezza della stampa	Carta in rotolo: 61,1 mm; carta a fogli mobili: 135,6 mm
Caratteri per linea (predefiniti)	9 × 9: carta in rotolo = 30; carta a fogli mobili = 66 7 × 9: carta in rotolo = 40; carta a fogli mobili = 88
Spaziatura dei caratteri (predefinita)	9 × 9: 3 punti (mezzi punti); 7 × 9: 2 punti (mezzi punti)
Velocità di stampa	Alta velocità — 9 × 9: 233 caratteri al secondo 7 × 9: 311 caratteri al secondo Bassa velocità — 9 × 9: 200 caratteri al secondo 7 × 9: 267 caratteri al secondo
Velocità di alimentazione della carta	Circa 60,3 ms/linea (alimentazione di 4,23mm); Circa 86,36 mm/secondo in alimentazione continua
Interlinea (predefinita)	4,23 mm
Numero di caratteri	Caratteri alfanumerici: 95; Caratteri internazionali: 32 Grafica estesa: 128 × 9 pagine (comprese le pagine di spazio)
Struttura dei caratteri	9 × 9 o 7 × 9
Rotolo della carta (strato singolo)	Misura: Larghezza: 69,5 ± 0,5 mm Diametro esterno massimo: 83 mm Diametro interno del rocchetto del rotolo della carta: 10 mm o di più
Carta a fogli mobili	Normale, copia carbone e carta sensibile alla pressione
Numero di copie per foglio mobile	Originale + 4, a temperature comprese tra 20 e 40°C Originale + 1- 3 copie, a temperature comprese tra 5 e 40°C
Spessore complessivo del foglio mobile	Da 0,09 a 0,36 mm
Cassetta del nastro	ERC-31
Capacità del buffer	32 byte o 2 KB, a seconda dell'impostazione degli interruttori DIP
Tensione di alimentazione	+24 V CC ± 10%
Consumo di corrente (a 24V)	Stampa su carta delle ricevute o del giornale (40 colonne): Medio: Circa 1,8 A (caratteri alfanumerici) Picco: Circa 8,0 A Alimentazione carta a fogli mobili alla posizione di inizio stampa o lettura MICR: Medio: Circa 2,3 A per circa 1,4 secondi
Durata utile	Meccanismo: 7.500.000 di linee Testina di stampa: 150 milioni di caratteri Nastro: 7.000.000 di caratteri MICR: 240.000 passate
MTBF	180.000 ore

Specifiche della stampante TM-U950

MCBF	18.000.000 di linee
Temperatura	Esercizio: da 5 a 40°C Magazzino: da -10 a 50°C, tranne il nastro
Umidità	Esercizio: da 30 a 80%, umidità relativa Magazzino: da 30 a 90%, umidità relativa
Dimensioni complessive	19,45 × 25,1 × 29,8 cm (A × L × P)
Peso (massa)	Circa 5,6 kg

Stampato in Giappone 1999.12

Printed in Japan

1999.12