

## Marathon

---

### Hand-Held Computer

Microsoft® Windows® Embedded Standard Operating System

Microsoft® Windows® 7 Professional Operating System

Microsoft® Windows® XP® Professional Operating System

## User's Guide

---

# Disclaimer

Honeywell International Inc. (“HII”) reserves the right to make changes in specifications and other information contained in this document without prior notice, and the reader should in all cases consult HII to determine whether any such changes have been made. The information in this publication does not represent a commitment on the part of HII.

HII shall not be liable for technical or editorial errors or omissions contained herein; nor for incidental or consequential damages resulting from the furnishing, performance, or use of this material.

This document contains proprietary information that is protected by copyright. All rights are reserved. No part of this document may be photocopied, reproduced, or translated into another language without the prior written consent of HII.

© 2011-2012 Honeywell International Inc. All rights reserved.

Web Address: [www.honeywellaidc.com](http://www.honeywellaidc.com)

Microsoft® Windows, ActiveSync®, MSN, Outlook®, Windows Mobile®, the Windows logo, and Windows Media are registered trademarks or trademarks of Microsoft Corporation.

Intel® and Atom™ are trademarks or registered trademarks of Intel Corporation or its subsidiaries in the United States and other countries.

Summit Data Communications, Inc. Summit Data Communications, the Summit logo, and “The Pinnacle of Performance” are trademarks of Summit Data Communications, Inc.

The Bluetooth® word mark and logos are owned by the Bluetooth SIG, Inc.

Symbol® is a registered trademark of Symbol Technologies. MOTOROLA, MOTO, MOTOROLA SOLUTIONS and the Stylized M Logo are trademarks or registered trademarks of Motorola Trademark Holdings, LLC and are used under license.

RAM® and RAM Mount™ are both trademarks of National Products Inc., 1205 S. Orr Street, Seattle, WA 98108.

Freefloat, Freefloat Link\*One and Freefloat Access\*One are trademarks of Freefloat, Mölndalsvägen 30B, SE-412 63Gothenburg, Sweden.

Qualcomm® is a registered trademark of Qualcomm Incorporated. Gobi is a trademark of Qualcomm Incorporated.

OneClick Internet is WebToGo’s patented connection manager customized for Honeywell mobile devices. OneClick Internet documentation is copyright 2010 by WebToGo and modified by Honeywell with WebToGo’s express permission.

Verizon® is a registered trademark of Verizon Trademark Services LLC.

T-MOBILE® is a registered trademark of Deutsche Telekom AG.

AT&T® is a registered trademark of AT&T Intellectual Property.

AuthenTec, TouchChip, Eikon and TrueSuite are registered trademarks and QuickSec, SafeXcel, DRM Fusion, SafeZone, Eikon, TrueNav, SteelCoat, TouchStone, DataDefender, MatrixSSL, MatrixDLS, TouchStone, SteelCoat, KeepVault, KeepSync and KeepSafe are trademarks of AuthenTec, Inc.

PenMount, and the Pen Mount logo are registered trademarks of Salt International Corporation, Taipei, Taiwan, R.O.C.

Acrobat® Reader © 2012 with express permission from Adobe Systems Incorporated.

Other product names or marks mentioned in this document may be trademarks or registered trademarks of other companies and are the property of their respective owners.

## Patents

For patent information, please refer to [www.honeywellaidc.com/patents](http://www.honeywellaidc.com/patents).

## Limited Warranty

Refer to [www.honeywellaidc.com/warranty\\_information](http://www.honeywellaidc.com/warranty_information) for your product’s warranty information.

---

## Li-Ion Battery

When disposing of the lithium-ion battery, the following precautions should be observed: The battery should be disposed of properly. The battery should not be disassembled or crushed. The battery should not be heated above 212°F (100°C) or incinerated.



CAUTION - RISK OF EXPLOSION IF BATTERY IS REPLACED BY AN INCORRECT TYPE.  
DISPOSE OF USED BATTERIES ACCORDING TO THE INSTRUCTIONS.



# Table of Contents




<b>Chapter 1: Introduction</b>	<b>1-1</b>
About this Guide	1-1
Microsoft Windows License Agreement (First Boot)	1-1
WWAN and the US and Canada	1-1
Laser Warnings and Labels	1-2
Label Location	1-2
Label	1-3
Components	1-4
Front View	1-4
Rear View	1-5
Bottom View	1-6
Right Side View	1-6
Left Side View	1-7
<b>Chapter 2: Set Up A New Marathon</b>	<b>2-1</b>
Hardware Setup	2-1
Software Setup	2-1
Battery	2-2
Charge or Recharge the Main Battery	2-2
Charge or Recharge the Extended Battery	2-2
Tapping the Touchscreen with a Stylus	2-3
Using the Biometric Mouse	2-4
LED Indicators	2-5
Power Button	2-5
Status LEDs	2-5
Keyboard Indicators	2-5
Adjust Display Brightness	2-6
Installing the Extended Battery Pack	2-7
Attaching the Hand Strap	2-9
Attaching the Shoulder Strap	2-11
Marathon Configuration Options	2-13
Date and Time	2-13
Power Management	2-13
Speaker Volume	2-13
Connect Bluetooth Devices	2-13
Restart/Shutdown	2-14
Calibrate Touch Screen	2-14
Marathon Desktop and Vehicle Dock	2-15
Using the Vehicle Dock	2-16

---

Place the Marathon in the Vehicle Dock .....	2-16
Removing the Marathon from the Vehicle Dock .....	2-16
Using the Desktop Dock .....	2-16
Place the Marathon in the Desktop Dock .....	2-16
Removing the Marathon from the Desktop Dock .....	2-16
Using a Dock and a Second Monitor .....	2-16
<b>Chapter 3: Connecting Cables to the Marathon .....</b>	<b>3-1</b>
Connecting USB Devices .....	3-1
Connecting an AC/DC Power Supply .....	3-2
Connecting an Audio Device .....	3-3
Connecting a USB Tethered Scanner .....	3-4
Connecting a Cigarette Lighter Power Adapter .....	3-5
Connect Power Supply to Vehicle Mounted Dock .....	3-6
<b>Chapter 4: Product Agency Compliance - Marathon .....</b>	<b>4-1</b>
Laser Light Safety Statement .....	4-4
Lithium Battery Safety Statement .....	4-6
Vehicle Power Supply Connection Safety Statement .....	4-8
<b>Chapter 5: Technical Assistance .....</b>	<b>5-1</b>

# Chapter 1: Introduction

The Honeywell Marathon handheld computer is a rugged, Ultra-Mobile Personal Computer equipped with a Windows operating system. Information in this guide includes instruction for all operating systems. Differences are highlighted as follows:

-  Windows® 7 Professional
-  Windows® Embedded Standard
-  Windows® XP Professional

The Marathon is capable of wireless data communications using an 802.11a/b/g/n radio. Additional connectivity options include Bluetooth and GPS.

The Marathon is a tablet-style computer with a 62-key QWERTY keyboard with number pad and features a 7.1" color display. The touch screen display supports WVGA (800x480 resolution) and is available optimized for either indoor or outdoor lighting. The keyboard is illuminated to facilitate use in dimly lit areas. A biometric mouse is included for security and screen navigation. Available add on modules include a magnetic stripe card reader and a 2D imager.

The Marathon provides the power and functionality of a desktop computer in a portable unit. The desktop dock, much like a docking port for a conventional laptop, provides provisions for an external monitor and USB connections for devices such as a USB keyboard and mouse.

## About this Guide

This Marathon User's Guide provides instruction for the end-user or system administrator to follow when setting up a new Marathon.

## Microsoft Windows License Agreement (First Boot)



If your Marathon is shipped with a Microsoft Windows operating system pre-installed, it may be necessary to complete the Windows licensing/registration screens when starting the Marathon for the first time. To complete this information, you may need the Microsoft Windows software/product key that was included with the Marathon.

## WWAN and the US and Canada

Use of the WWAN in the US and Canada requires a hip pad or a 62Whr extended battery. Removing the hip pad or extended battery will disable the WWAN radio in the US and Canada.

---

## Laser Warnings and Labels

*Note: A 2D Imager Add-on may be installed on the Marathon. Laser warnings and labels that follow are specifically for a Marathon with a 2D Imager.*

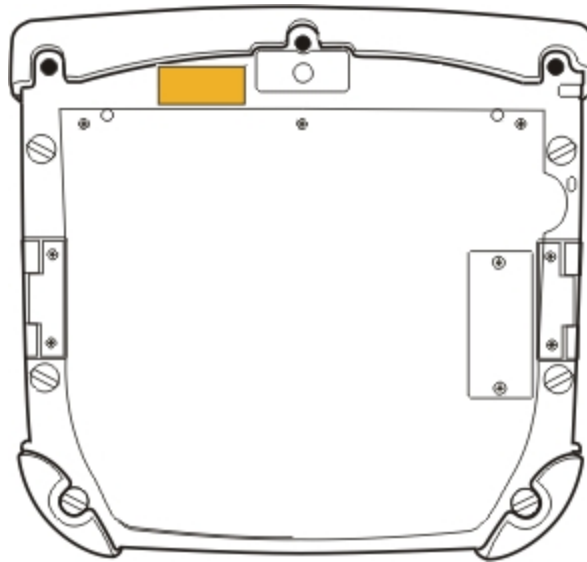
- Do not look into the laser's lens.
- Do not stare directly into the laser beam.
- Do not remove the laser caution labels from the Marathon.
- Do not connect the laser bar code aperture to any other device. The laser bar code aperture is certified for use with the Marathon only.

Caution



Laser radiation when open. Please read the caution labels. Use of controls, adjustments or performance of procedures other than those specified herein may result in hazardous radiation exposure.

### **Label Location**





---

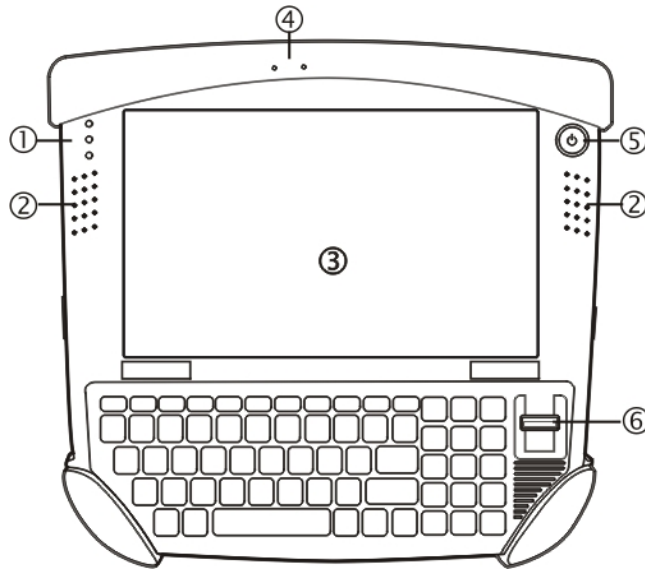
**Label**



---

## Components

### Front View

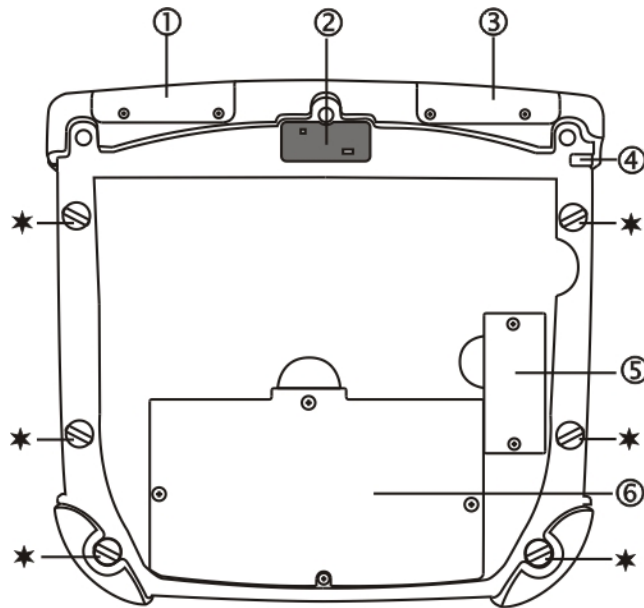


Position	Function
1	Status Indicators
2	Speakers
3	Touch Screen / Display
4	Microphone
5	Power Button
6	Biometric Mouse

---

## Rear View

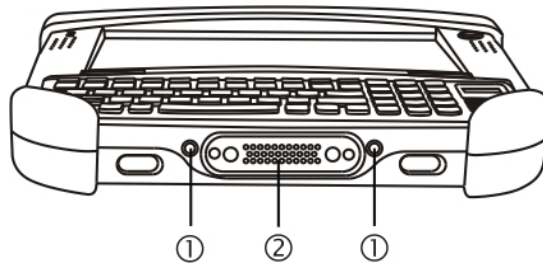
Note: *Extended battery* is not attached in this image.



Position	Function
1	Magnetic Stripe Card Reader Add-on Cover
2	Camera
3	Bar Code Imager Add-on Cover
4	Tethered Stylus
5	Extended Battery Connector Cover
6	Internal Battery / SIM Card Cover
★	Handstrap Connection

---

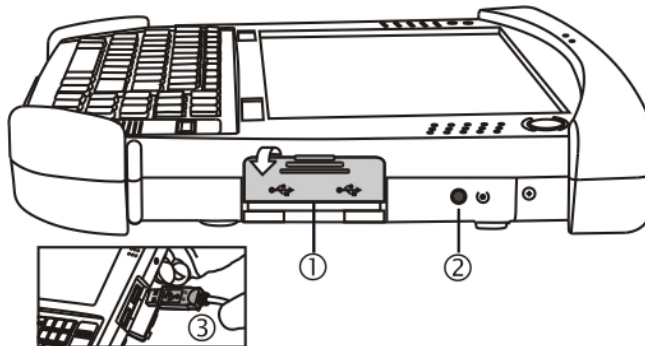
## Bottom View



Position	Function
1	External Antenna Signal Pathway (for use in vehicle mount dock only)
2	Docking Connector (for use in desktop and vehicle mount docks)

## Right Side View

The components are on the right side of the Marathon when viewed from the front.



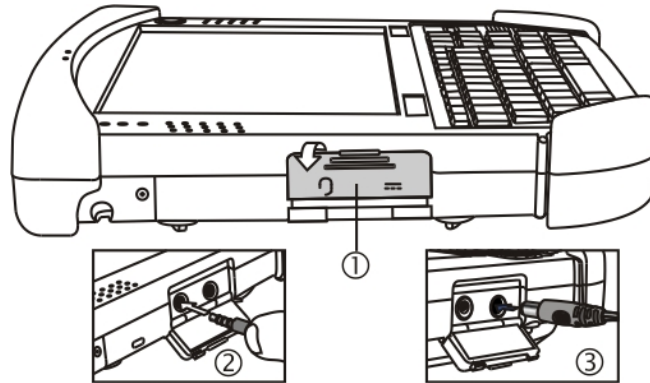
Position	Function
1	USB Port Cover
2	Reset Button
3	Two USB 2.0 Host Ports

*Note:* **Caution.** The **Reset Button**, when pressed in with the tip of the stylus, immediately disconnects all power sources. The Marathon turns Off (uncontrolled shutdown).

---

## Left Side View

The components are on the left side of the Marathon when viewed from the front.



Position	Function
1	Power/Audio Port Cover
2	Audio Jack
3	Power Connector






# Chapter 2: Set Up A New Marathon

This page lists a quick outline of the steps you might take when setting up a new Marathon. More instruction for each step is listed later in this guide. Please refer to the *Marathon Reference Guide* for additional information and instruction.

Contact your [representative](#) if you need additional help.

*Note: Installing or removing accessories should be performed on a clean, well-lit surface. When necessary, protect the work surface, the Marathon, and components from electrostatic discharge.*

Information in this guide includes instruction for all Marathon operating systems. Differences in operating system instruction are highlighted as follows:

-  Windows® 7 Professional
-  Windows® Embedded Standard
-  Windows® XP Professional

## Hardware Setup

1. Install the [hand strap](#) and/or [shoulder strap](#).
2. Provide a power source:
  - Attach a fully charged [extended battery](#), or
  - Connect a [power cable, or](#)
  - Place the Marathon in a powered desktop or vehicle mount [dock](#).
3. Press the [Power key](#).

[See Also: "Microsoft Windows License Agreement \(First Boot\)"](#)

## Software Setup

Hardware setup should be completed before starting software setup.

1. [Set Date and Time](#)
2. [Set Power Management](#)
3. [Adjust Speaker Volume](#)
4. [Pair Bluetooth devices](#)
5. Setup Wireless client parameters - Please refer to the *Marathon Reference Guide*.

For hardware and software setup instruction not listed here, please refer to the *Marathon Reference Guide*.

---

## Battery

### **Charge or Recharge the Main Battery**

*Note:* A new Marathon must be connected to an external power source to charge the main battery before first use.

The Marathon contains an internal Lithium Ion battery that, once fully charged, powers the Marathon for a minimum of 3 hours and 30 minutes (when the unit is not mounted in a powered dock or connected to an AC/DC adapter or extended battery).

*Note:* An external power source is required before the main battery in the Marathon will recharge.

The main battery in the Marathon can be recharged using several different methods.

- by connecting the Marathon AC power adapter to the power jack on the Marathon.
- by docking the Marathon in a powered desktop dock.
- by docking the Marathon in a powered vehicle dock.
- or by attaching a fully charged extended battery.

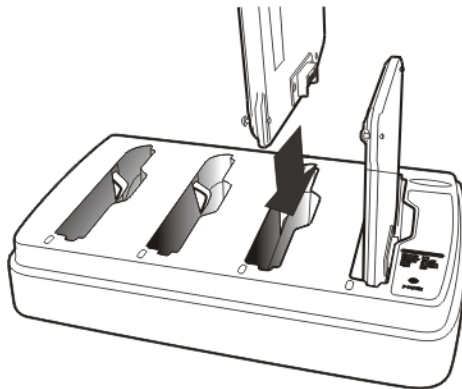
### **Charge or Recharge the Extended Battery**

*Note:* The Marathon Battery Charger is designed for an indoor, protected environment.

New extended batteries must be fully charged prior to use.

The extended battery can be recharged using two methods:

- By inserting the battery in a powered [desktop dock](#) spare battery charging bay.
- By inserting the battery in a Marathon Battery Charger charging bay.



Refer to the *Marathon Battery Charger User Guide* for instruction.



---

## Tapping the Touchscreen with a Stylus

*Note:* Always use the point of the stylus for tapping or making strokes on the touch screen.

**Never use an actual pen, pencil, or sharp/abrasive object to write on the touch screen.**

Hold the stylus as if it were a pen or pencil. Touch an element on the screen with the tip of the stylus then remove the stylus from the screen.

Firmly press the stylus into the stylus holder when the stylus is not in use.

Using a stylus is similar to moving the mouse pointer then left-clicking icons on a desktop computer screen.


Using the stylus to tap icons on the touch screen is the basic action that can:

- Open applications
- Choose menu commands
- Select options in dialog boxes or drop-down boxes
- Drag the slider in a scroll bar
- Select text by dragging the stylus across the text
- Place the cursor in a text box prior to typing in data
- Place the cursor in a text box prior to retrieving data using a scanner/imager or an input/output device connected to a serial port.

A right-click can be simulated by touching the touch screen with the stylus and holding it for a short time.



A right click is generated by tapping the mouse icon, usually located in the upper right hand corner of the screen. After tapping, the mouse icon highlights the right button. The next touchscreen tap is treated as a right click. The mouse icon returns to the left button highlighted so subsequent taps are treated as left clicks.

*Note:* If the mouse icon is not displayed, this feature can be enabled by tapping the PenMount icon  in the System Tray. From the menu that pops up, tap the **Right Button** to enable the mouse icon. When this option is enabled, a checkmark is displayed in the menu.

The [Biometric Mouse](#) can be used instead of the touch screen.

A stylus replacement kit is available.

---

## Using the Biometric Mouse

The biometric mouse is located to the right of the keypad. Slide a finger over the biometric mouse to move the cursor in the direction the finger moves.

Tapping the biometric mouse once generates a left-click, tapping twice rapidly generates a double-click.

Tapping the biometric mouse and holding generates a right-click.



*Note: If experiencing difficulties with the biometric mouse navigation, try varying the finger pressure on the biometric mouse.*

The system administrator can disable the biometric mouse navigation function.

---

## LED Indicators

### ***Power Button***




The power button is backlit as follows:



- Off when not activated, Marathon is Off
- Solid blue when activated, Marathon is On
- Flashes blue when Marathon is in standby

### ***Status LEDs***

Status LED indicators are located next to the upper left hand corner of the display.

Symbol	Function
	Indicates the storage drive status: <ul style="list-style-type: none"><li>• LED flashes green when drive is accessed</li></ul>
	Indicates the wireless status: <ul style="list-style-type: none"><li>• LED is solid blue when enabled, but not connected. Does not blink when connection/re-connection occurs</li></ul>
	Indicates the battery status: <ul style="list-style-type: none"><li>• LED is Off when battery is fully charged.</li><li>• LED is solid green when battery is discharging.</li><li>• LED is solid orange when battery is charging.</li><li>• LED flashes orange when battery is low or has failed.</li></ul>

### ***Keyboard Indicators***

When the keyboard is not in use the keyboard backlight is off. Under normal conditions, the keys are backlit with white light when the keyboard is in use.

The backlight for certain keys is blue when the modifier key is active. These keys include:

- Fn
- CTL
- ALT
- SHIFT

The backlight for the NUM LCK key is amber when Num Lock is active.

---

## Adjust Display Brightness

The display can be lightened or darkened by using the Fn key and the keypad:

1. Hold the Fn key down for a few seconds until the Fn key remains illuminated (sticky).
2. Press the 9 (brightness up) key to brighten the display.
3. Press the 3 (brightness down) key to darken the display.

The display brightness and darkness have nine levels. The display levels are managed by the Windows operating system. The Fn key active sticky mode takes precedence if the NumLck key is illuminated (sticky) during this process.

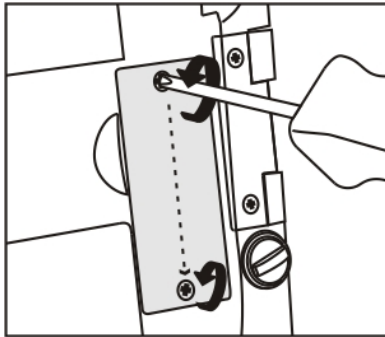
---

## Installing the Extended Battery Pack

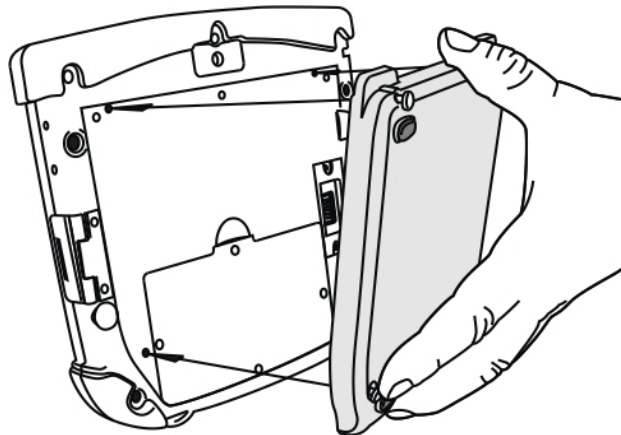
*Note: Installing or removing accessories should be performed on a clean, well-lit surface. When necessary, protect the work surface, the Marathon, and components from electrostatic discharge.*

The instructions that follow are the same for the 42Whr extended battery and the 62Whr extended battery.

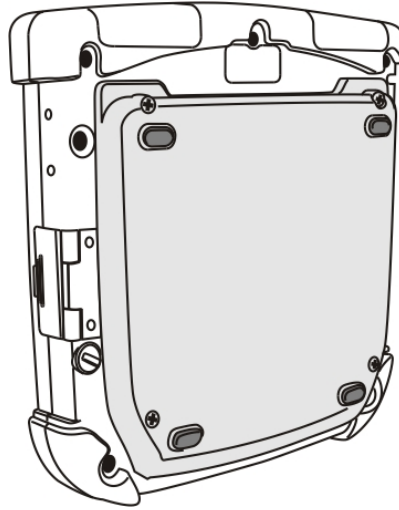
1. Turn the Marathon off. Remove any cables, straps or accessories.
2. Place the Marathon face down on a stable surface.
3. Remove the 2 mounting screws securing the [extended battery connector cover \(item 5\)](#) and then remove the cover to expose the extended battery pack connector. Put the screws and cover aside in a safe place.



4. Line up the charging pins on the extended battery with the charging pins in the Marathon extended battery connector bay.



- 
5. Connect the extended battery to the Marathon using the captive screws in the extended battery.



6. Re-attach accessories, if any.
7. Turn the Marathon on.

One extended battery can be recharged in a powered desktop dock (See *Marathon Dock Reference Guide*) and four extended batteries can be recharged in the Marathon Battery Charger (See *Marathon Battery Charger User Guide*).

An attached extended battery will begin to recharge when the Marathon is placed in a powered desktop dock or powered vehicle dock.

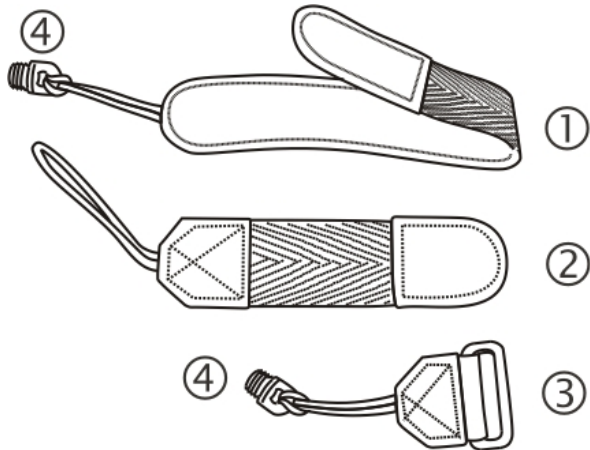
When the Marathon does not have an extended battery attached, the extended battery connector cover must be re-attached, protecting the Marathon extended battery connector opening.

[See Also: "Introduction"](#)

---

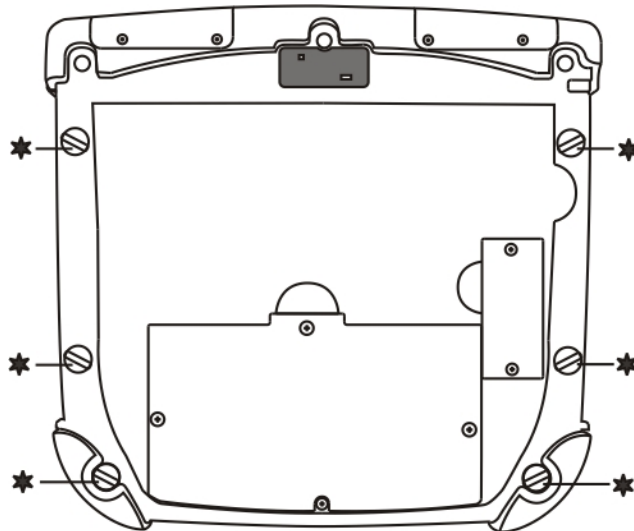
## Attaching the Hand Strap

The hand strap is designed to be used with the Marathon with or without an extended battery attached. The hand strap is designed so the Marathon can be mounted in the desktop dock or the vehicle dock without removing the hand strap.

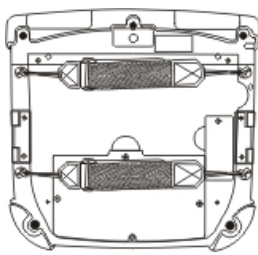


1. Long Hand Strap, approximately 7.4"/18.8 cm without loop
2. Short Hand Strap, approximately 4.0"/10.2 cm without loop
3. Strap Buckle
4. Screws, strap attaching

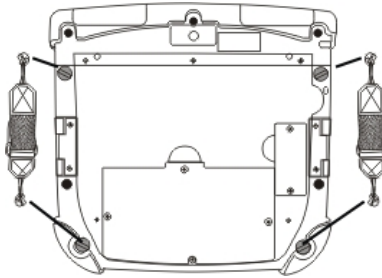
1. Place the Marathon with the screen facing down, on a flat stable surface.
2. There are six rubber plugs as illustrated below (stars).



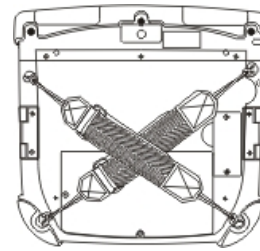
- 
3. Remove any of the plugs by unscrewing them in a counter-clockwise direction. Remove only the plugs necessary to mount the hand strap. See the illustration below for possible hand strap orientations:



Horizontal

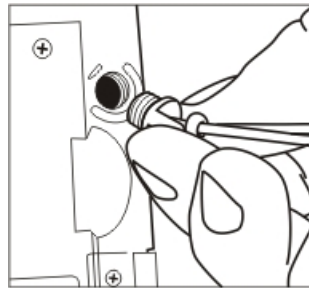


Vertical



Diagonal

4. Insert the Strap Attaching Screws into the appropriate holes. These screws have an eye to attach the strap.



5. Thread the nylon loop of the Strap Buckle through one of the Strap Attaching Screws from the outside edge of the Marathon. Then thread the buckle end of the strap through the loop and pull tight.
6. The hand strap kit contains two straps. Use the longer strap for a horizontal or diagonal mount and use the shorter strap for the vertical mount. Thread the nylon loop of the appropriate strap through the other Strap Attaching Screw. Then thread the strap through the loop and pull tight.
7. Making sure the closed loop fastener surface on the hand strap is facing up, slide the strap through the latch in the top clip.
8. Fold the end of the strap over so that the closed loop fastener surfaces mate evenly and the hand strap is secured to the Marathon.
9. Test the strap's connection making sure the Marathon is securely connected to each end of the strap connectors.

Check the closed loop fastener and hand strap base connection frequently. If loose, they must be tightened or replaced before the Marathon is placed into service again.



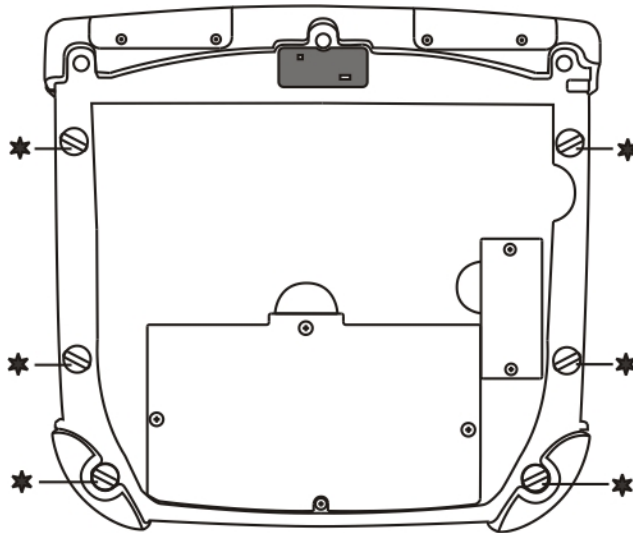
---

## Attaching the Shoulder Strap

The shoulder strap is designed to be used with the Marathon with or without an extended battery attached. The shoulder strap is designed so the Marathon can be mounted in the desktop dock or the vehicle dock without removing the shoulder strap.

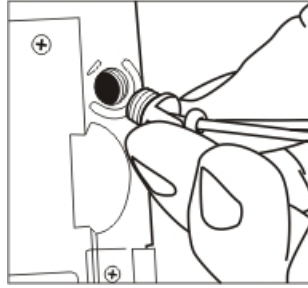


1. Place the Marathon with the screen facing down, on a flat stable surface.
2. There are six rubber plugs as illustrated below (stars).



3. Remove the upper two of these plugs by unscrewing them in a counter-clockwise direction. Remove only the plugs necessary to mount the strap.

- 
4. Insert the Strap Attaching Screws into the upper two holes. These screws have an eye to attach the strap.



5. Thread the longer nylon loop of one of the Shoulder Strap Adapters through one of the Strap Attaching Screws. Then thread the other end of the Shoulder Strap Adapter through the longer loop and pull tight. Repeat for the other Shoulder Strap Adapter using the other Strap Attaching Screw.
6. Hook the swivel hooks on each end of the Shoulder Strap to the short loops on the adapters.



Adjust the shoulder strap length as desired.

Adjust the pad on the shoulder strap so it rests comfortably on the shoulder.



---

## Marathon Configuration Options

Many configuration options are available via the Microsoft Windows Control panel. For additional information, please refer to **Help and Support** on the **Start** menu for configuration details.



### *Date and Time*

Use the [Windows interface](#) to set date, time and time zone. Tap the time displayed in the task bar or tap:

	<b>Start   Control Panel   Clock, Language and Region   Date and Time</b> (Category view)
	<b>Start   Settings   Control Panel   Date and Time</b> (Classic view), or tap <b>Start   Settings   Control Panel   Date, Time, Language and Regional Options   Change the Date and Time</b> (Category view)



### *Power Management*

Use the Windows interface to set power management options. Tap the battery icon in the task bar or tap:

	<b>Start   Control Panel   Hardware and Sound   Power Options</b> (Category view)
	<b>Start   Settings   Control Panel   Power Options</b> (Classic view), or tap <b>Start   Settings   Control Panel   Performance and Maintenance   Power Options</b> (Category view)



### *Speaker Volume*

Use the Windows interface to control speaker volume. Tap the speaker icon in the task bar or tap:

	<b>Start   Control Panel   Hardware and Sound   Sound</b> (Category view) <b>Start   Control Panel   Sound</b> (Classic view)
	<b>Start   Settings   Control Panel   Sound and Audio Devices   Sounds</b> (Classic view), or tap <b>Start   Settings   Control Panel   Sounds, Speech and Audio Devices   Adjust the System Volume</b> (Category view)

### *Connect Bluetooth Devices*

Use the Windows interface to manage Bluetooth devices. Tap the Bluetooth icon in the task bar, if it exists, or:

	Tap the Bluetooth icon in the task bar, if it exists.
	<b>Start   Settings   Control Panel   Bluetooth Devices</b> (Classic view), or tap <b>Start   Settings   Control Panel   Printers and Other Hardware   Bluetooth Devices</b> (Category view)

---

## ***Restart/Shutdown***

Use the Windows interface to restart or shut down the Marathon.

- Tap **Start | Shut Down | Restart**
- Tap **Start | Shut Down | Shut down**

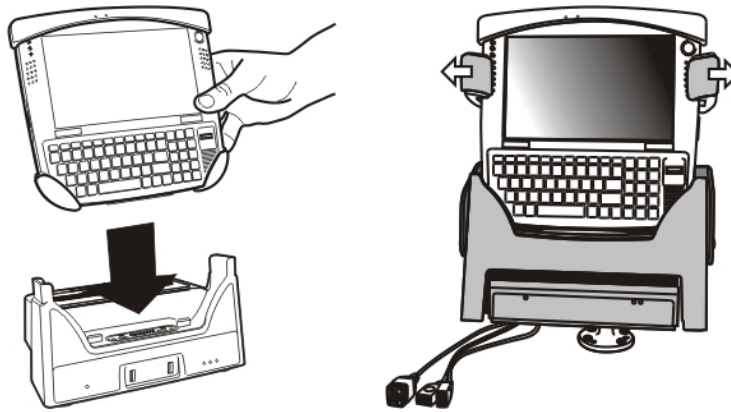
## ***Calibrate Touch Screen***

To calibrate the touch screen, tap **Start | Programs | PenMount Universal Driver | Utility | PenMount Control Panel**. Select **PenMount 6000 USB** and then tap **Configure**. Select **Standard Calibration** or **Advance Calibration**.

Advanced Calibration allows the user to select the number of calibration points. With either option, follow the on screen instructions to touch the red square, hold the touch and then lift the stylus to complete the calibration process.

---

## Marathon Desktop and Vehicle Dock



The docks provide:

- A mount for the Marathon computer. The desktop dock is located in a protected environment. The vehicle dock attaches to a vehicle via a RAM mount.
- Conditioned power for the Marathon. The docks accept 12-24 VDC power input.
- Connectors for an external monitor, four USB ports and an Ethernet connection are available when the Marathon is mounted in a powered desktop dock. The desktop dock also offers spare extended battery charging.
- A serial, monitor, Ethernet and USB connection are available when the Marathon is mounted in a powered vehicle dock.
- When a headset is not attached to the mobile device mounted in a dock, the microphone and speakers on the Marathon are active.
- Six strain relief cable mounts are available on the back of the vehicle dock.
- Mobility of the Marathon, since the vehicle dock remains attached to the vehicle the computer can easily be moved from one vehicle equipped with a dock to another.

GPS and Mobile Net antenna connectors are located on the back of the vehicle dock.

---

## ***Using the Vehicle Dock***

1. Attach RAM mount to vehicle (see *Marathon Dock Guide*).
2. Attach cabled accessories to dock.
3. Attach power cable.
4. Secure cables in the appropriate strain relief cable mounts.

### **Place the Marathon in the Vehicle Dock**

Lower the Marathon into the docking bay until it is seated and then push it back into the dock. The release mechanisms will slide out of the way, and then spring forward, securing the Marathon in the vehicle dock.

### **Removing the Marathon from the Vehicle Dock**

To take the Marathon out of the dock, press down and out on the release mechanisms and the unit will spring forward out of the dock. Pick the unit up and out of the dock.

## ***Using the Desktop Dock***

1. Place the desktop dock on a stable surface ( see *Marathon Cradle Guide*).
2. Attach cabled accessories.
3. Attach power cable.

### **Place the Marathon in the Desktop Dock**

Lower the Marathon straight down into the docking bay until it is seated and then let it fall back into the dock. If desired insert an extended battery in the spare battery charging bay.

### **Removing the Marathon from the Desktop Dock**

To remove the Marathon from the dock, lift the Marathon straight up and out of the dock. The Marathon can be removed from the desktop dock with one hand.

## ***Using a Dock and a Second Monitor***

Prerequisite: The Marathon is in the Dock, and a second monitor is attached to the dock. The Marathon display driver has been setup to extend the Marathon display to the second monitor.

Use a connected USB mouse to select items on the displays. The mouse can be connected to the Marathon or the desktop dock.

When the Marathon display driver is setup to extend the Marathon display to the second monitor, cursor calibration on the Marathon touch display is offset. Do not use the touch panel on the Marathon to select items on the Marathon display. When a cabled USB mouse is used, the touch screen calibration is correct.

# Chapter 3: Connecting Cables to the Marathon

## Connecting USB Devices

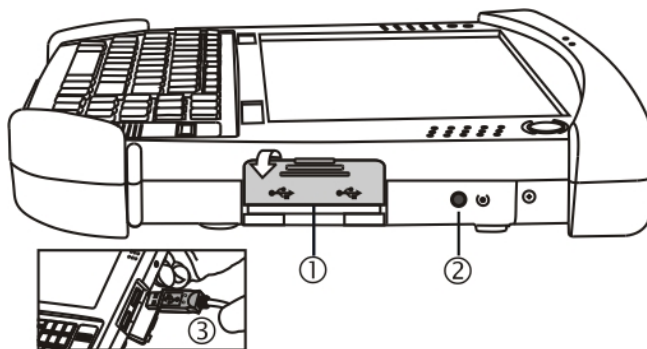
The Marathon provides two Type A USB ports behind the access door on the right side of the device.

Open the port cover on the right side of the Marathon.

Plug the desired device, such as a USB mouse or storage device, into the USB port. Refer to **Start | Help and Support** and the documentation for your USB device for more information.

USB devices may be installed and removed or swapped without turning off the Marathon.

When the USB ports are not in use, keep the port cover door closed.

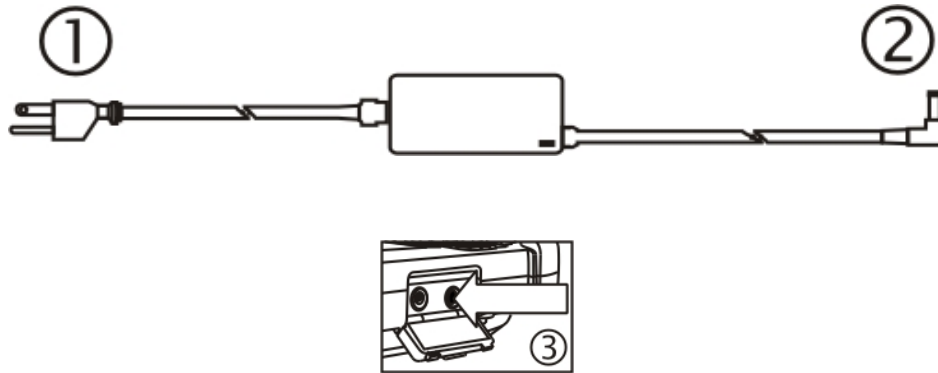


Position	Function
1	USB Port Cover
2	Reset Button
3	Two USB 2.0 Host Ports

---

## Connecting an AC/DC Power Supply

*Note: The Honeywell-approved AC Power Supply and Adapter Cable are only intended for use in a 25°C (77°F) maximum ambient temperature environment.*



1. AC Input Cable (US only)
2. DC Output Cable
3. Power connector

In North America, this unit is intended for use with power supply models FX1301PWRSPPLY or FX1302PWRSPPLY.

The external power supply may be connected to either a 120V, 60Hz supply or, outside North America, to a 230V, 50Hz supply, using the appropriate detachable cordset. In all cases, connect to a properly grounded source of supply provided with maximum 15 Amp overcurrent protection (10 Amp for 230V circuits).

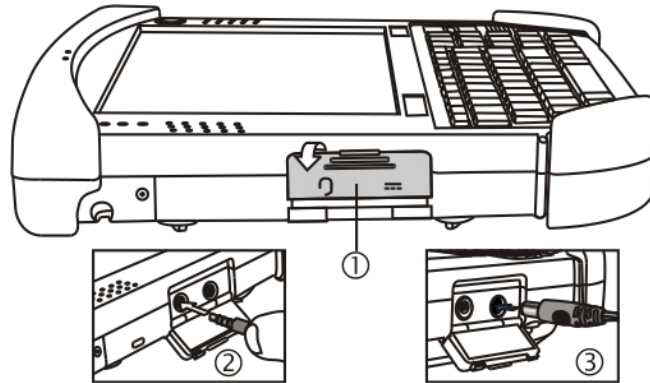
1. Turn the Marathon off.
2. Connect the detachable cordset provided by Honeywell (US only, all others must provide their own cable) to the external power supply (IEC 320 connector).
3. Plug cordset into appropriate, grounded, electrical supply receptacle (AC mains).
4. The LED on the AC adapter illuminates.
5. Open the port cover on the left side of the Marathon. When the power connector is not used, keep the port cover door closed.
6. Plug the barrel end of the power cable into the Marathon.
7. The Marathon Battery Status LED at the upper left, next to the screen, illuminates orange to indicate the main battery is recharging using power from the AC Adapter.
8. Turn the Marathon on.



---

## Connecting an Audio Device

The Marathon provides an external headset connection via an audio jack connector under the left-hand port cover.



Position	Function
1	Power Connector / Audio Jack Cover
2	Audio Jack
3	Power Connector

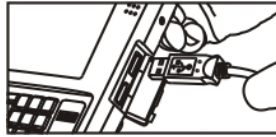
1. Open the left-hand port cover.
  2. Insert the speaker or headphone plug into the audio connector; making sure the plug is firmly seated in the jack.
- When the audio port is not in use, keep the port cover door closed.

---

## Connecting a USB Tethered Scanner

The Marathon accepts only USB tethered scanners. The scanner is connected to one of the USB ports on the right side of the Marathon.

If the tethered scanner does not have its own power supply, e.g. installed rechargeable battery, the tethered scanner draws power from the Marathon battery.



---

## Connecting a Cigarette Lighter Power Adapter

*Note: The Honeywell-approved Cigarette Lighter cable is intended for use in 12V DC negative ground systems only.*

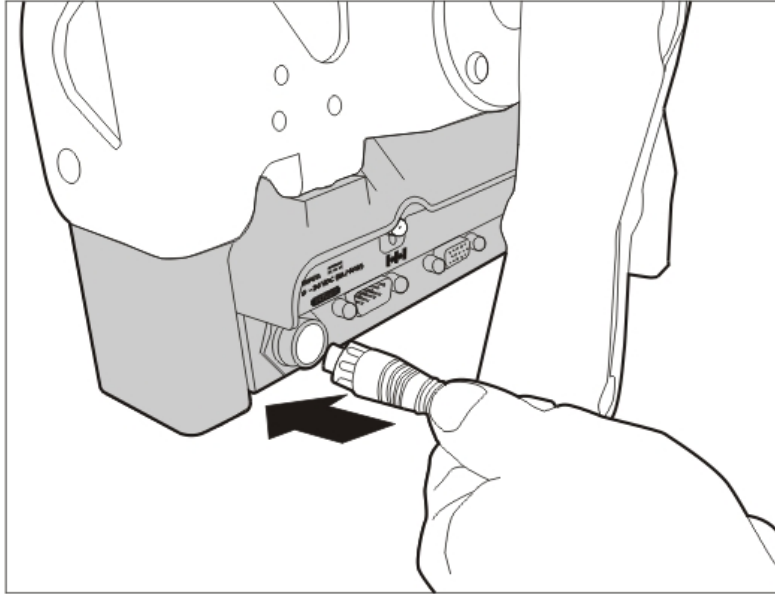
To view the instructions when using a cigarette lighter power adapter with a **vehicle dock**, please see the *Marathon Dock Reference Guide*.

1. Plug the lighter end of the cordset into an appropriate 12V DC automotive cigarette lighter receptacle. The LED on the cigarette lighter Power Adapter illuminates to indicate it is drawing power from the vehicle.
2. Open the port cover on the left side of the Marathon. When the power connector is not used, keep the port cover door closed.
3. [Plug the barrel end](#) of the power cable into the Marathon.
4. The Marathon Battery Status LED at the upper left, next to the display, illuminates orange to indicate the main battery is recharging by drawing vehicle power through the cigarette lighter adapter.

---

## Connect Power Supply to Vehicle Mounted Dock

*Note: The vehicle cradle is designed for nominal 12V and 24V, negatively gounded vehicles only.*



1. Align the connector pins to the vehicle dock Power port; firmly pushing the connector into the Power port.
2. Tighten the plug clockwise until the power cable is securely fastened.
3. Secure the cable to the dock with the installed strain relief cable clamp.

The Power LED on the front of the vehicle dock illuminates when the dock is connected to vehicle power.

The power LED on the Marathon illuminates when it is receiving external power from the vehicle dock.

Refer to the *Marathon Dock Reference Guide* for further information and instruction.

# Chapter 4: Product Agency Compliance - Marathon

## ***Class B Digital Device***

### **FCC Rules, Part 15**

This device complies with Part 15 of the FCC Rules [and with RSS-210 of Industry Canada]. Operation is subject to the following two conditions:

1. This device may not cause harmful interference, and
2. This device must accept any interference received, including interference that may cause undesired operation.

NOTE: This equipment has been tested and found to comply with the limits for a Class B digital device, pursuant to Part 15 of the FCC Rules. These limits are designed to provide reasonable protection against harmful interference in a residential installation. This equipment generates, uses and can radiate radio frequency energy and, if not installed and used in accordance with the instructions, may cause harmful interference to radio communications. However, there is no guarantee that interference will not occur in a particular installation. If this equipment does cause harmful interference to radio or television reception, which can be determined by turning the equipment off and on, the user is encouraged to try to correct the interference by one or more of the following measures:

- Reorient or relocate the receiving antenna.
- Increase the separation between the equipment and the receiver.
- Connect the equipment into an outlet on a circuit different from that to which the receiver is connected.
- Consult the dealer or an experienced radio/TV technician for help.

## **RF Notices**

### **Warnings:**

#### ***FCC/IC RF Radiation Exposure Statement:***

1. This Transmitter has been demonstrated co-location compliance requirements with Bluetooth/WLAN antenna, FCC ID: KDZLXE-FX1; IC: 1995B-LXEFX1 WWAN antenna, FCC ID: KDZLXE-FX1WW; IC: 1995B-FX1WW.
2. This equipment complies with FCC/IC RF radiation exposure limits set forth for an uncontrolled environment. This device was tested for typical lap hand held operations with the device contacted directly to the human body to the back, front, and left side of the Handheld Computer.

To maintain compliance with FCC/IC RF exposure compliance requirements, avoid direct contact to the transmitting antenna during transmitting.

#### ***Indoor Use Only Statement:***

According to FCC 15.407(e), the device is intended to operate in the frequency band of 5.15GHz to 5.25GHz under all conditions of normal operation. Normal operation of this device is restricted to indoor used only to reduce any potential for harmful interference to co-channel MSS operations.

## **Notice**

Changes or modifications made to this equipment not expressly approved by Honeywell may void the FCC authorization to operate this equipment.

---

## EMC Directive Requirements

This is a Class B product. In a domestic environment this product may cause radio interference in which case the user may be required to take adequate measures.

## Industry Canada

This Class B digital apparatus meets all requirements of the Canadian Interference Causing Equipment Regulations. Operation is subject to the following two conditions: (1) this device may not cause harmful interference, and (2) this device must accept any interference received, including interference that may cause undesired operation.

Cet appareil numérique de la classe B respecte toutes les exigences du Règlement sur le matériel brouilleur du Canada. Le présent appareil numérique n'émet pas de bruits radioélectriques dépassant les limites applicables aux appareils numériques de Classe B prescrites dans le Règlement sur le brouillage radioélectrique édictés par le ministère des Communications du Canada.

## Notice

*This Class B digital apparatus complies with Canadian ICES-003. Cet appareil numérique de la classe [\*] est conforme à la norme NMB-003 du Canada.*

## Li-Ion Battery

When disposing of the Marathon main battery, the following precautions should be observed: The battery should be disposed of properly. The battery should not be disassembled or crushed. The battery should not be heated above 212°F (100°C) or incinerated.

## Waste Electrical and Electronic Equipment (WEEE)

Important:



This symbol is placed on the product to remind users to dispose of Waste Electrical and Electronic Equipment (WEEE) appropriately, per Directive 2002-96-EC. In most areas, this product can be recycled, reclaimed and re-used when properly discarded. Do not discard labeled units with trash.

For information about proper disposal, contact your [representative](#), or visit [www.honeywellaidc.com](http://www.honeywellaidc.com).

---

## ***R&TTE Directive Requirements***



## **Dealer License - Republic of Singapore**

Complies with  
IDA Standards  
DA103458

Republic of Singapore - LXE Dealer License Number DA103458 complies with IDA Standards.

## Laser Light Safety Statement



**Warning:** This product uses laser light. One of the following labels is provided on the scanner. Please read the Caution statement. (US)

Mise en garde: Ce produit utilise un rayon laser. L'une des étiquettes suivantes est apposée sur le scanner. Veuillez lire l'avertissement qu'elle contient. (FR)

Advertência: Este produto usa luz de laser. O scanner contém um dos seguintes avisos. Favor ler o Aviso. (PT)

Varning: Denna produkt använder laserljus. En av de nedanstående etiketterna sitter på scannern. Var god läs varningstexten. (SE)

Advarsel: Dette produkt anvender laserlys. En af følgende mærkater anvendes på scanneren. Læs venligst sikkerhedsforanstaltningen. (DK)

Varoitus: Tämä tuote käyttää laservaloa. Skannerissa on jokin seuraavista tarroista. Lue Huomio-kohta. (FI)

Warnung: Dieses Produkt verwendet Laserlicht. Eines der folgenden Etiketten befindet sich auf dem Scanner. Bitte lesen Sie den Gefahrenhinweis. (DE)

Attenzione: Questo prodotto utilizza luce laser. Una delle etichette seguenti c'è ubicata sullo scanner. Si raccomanda di leggere con attenzione le avvertenze riportate. (IT)

Advarsel: Dette utstyret bruker laserlys. En av følgende etiketter er plassert på scanneren. Les advarselen på etiketten. (NO)

Advertencia: Este producto usa luz de láser. Las etiquetas se proveen en la máquina exploradora. Por favor, lea detenidamente la explicación para las precauciones. (ES)

Waarschuwing: Dit product gebruikt laserlicht. Een van de volgende labels is op de scanner aangebracht. Lees a.u.b. de waarschuwing onder Oppassen. (NL)

<p><b>Uyarı:</b> Bu ürün lazer ışığı kullanır. Aşağıdaki etiketlerden bir tanesi tarayıcınıza üstünde sağlanacaktır. Lütfen Dikkat ifadesini okuyun. (TR)</p>	<p><b>Προειδοποίηση:</b> Αυτό το προϊόν χρησιμοποιεί λέιζερ φως. Υπάρχει μία από τις ακόλουθες ετικέτες στο σαρωτή. Παρακαλούμε διαβάστε τη δήλωση με τίτλο Προσοχή. (GR)</p>
<p><b>경고:</b> 본 제품은 레이저 광선을 사용합니다. 다음 라벨 중 하나가 스캐너에 제공됩니다. 주의 사항을 읽어 주십시오. (KR)</p>	<p><b>警告:</b> この製品はレーザー光線を使用します。 次のラベルのうち1つがスキャナーに 貼られています。 注意事項をお読みください。 (JP)</p>
<p><b>警告:</b> 本产品使用激光。 下列一个标签将随扫描仪一道提供。 请阅读“当心”一栏的内容。 (CN)</p>	

Legend: Chinese – CN; Danish – DK; Dutch – NL; English – US; Finnish – FI; French – FR; German – DE; Greek – GR; Italian – IT; Japanese – JP; Korean – KR; Norwegian – NO; Portuguese – PT; Republic of China – ROC; Spanish – ES; Swedish – SE; Turkish – TR.



ENGLISH	 <p>AVOID EXPOSURE - LASER RADIATION IS EMITTED FROM THIS APERTURE. EN60825-1:2007/IEC60825-1:2007 COMPLIES WITH 21 CFR 1040.10 AND 1040.11</p> <p>LASER LIGHT - DO NOT STARE INTO BEAM CLASS 2 LASER PRODUCT 1.0mW - 630 - 680nm</p>	FRENCH	 <p>AVOID EXPOSURE - LASER RADIATION IS EMITTED FROM THIS APERTURE. EN60825-1:2007/IEC60825-1:2007</p> <p>RAYONNEMENT LASER NE PAS REGARDER DANS LE FAUCON/AL APPAREIL A RAYONNEMENT LASER DE CLASSE 2 1.0mW - 630 - 680nm</p>
DANISH	 <p>AVOID EXPOSURE - LASER RADIATION IS EMITTED FROM THIS APERTURE. EN60825-1:2007/IEC60825-1:2007</p> <p>LASERLYS KIG IKKE IND I LYSSTRÅLEN KLASSE 2 LASER PRODUKT 1.0mW - 630 - 680nm</p>	GERMAN	 <p>AVOID EXPOSURE - LASER RADIATION IS EMITTED FROM THIS APERTURE. EN60825-1:2007/IEC60825-1:2007</p> <p>LASERSTRAHLUNG NICHT IN DEN STRAHL BLICKEN. LASER KLASSE 2 1.0mW - 630 - 680nm</p>
GREEK	 <p>AVOID EXPOSURE - LASER RADIATION IS EMITTED FROM THIS APERTURE. EN60825-1:2007/IEC60825-1:2007</p> <p>ΠΡΟΤΙ ΦΩΤΟΣ LASER ΜΗΝ ΚΟΙΤΑ ΤΗ ΤΗΝ ΔΕΞ.ΜΗ ΠΥΡΡΟΝ LASER Κ.Α.Α.ΣΗΞ 2 1.0mW - 630 - 680nm</p>	ITALIAN	 <p>AVOID EXPOSURE - LASER RADIATION IS EMITTED FROM THIS APERTURE. EN60825-1:2007/IEC60825-1:2007</p> <p>RADIAZIONE LASER NON FES ARE IL FASCIO APPARECCHIO LASER DI CLASSE 2 1.0mW - 630 - 680nm</p>
NORWEGIAN	 <p>AVOID EXPOSURE - LASER RADIATION IS EMITTED FROM THIS APERTURE. EN60825-1:2007/IEC60825-1:2007</p> <p>LASER LYS IKKE SE INN I STRÅLEN KLASSE 2 LASER PRODUKT 1.0mW - 630 - 680nm</p>	SPANISH	 <p>AVOID EXPOSURE - LASER RADIATION IS EMITTED FROM THIS APERTURE. EN60825-1:2007/IEC60825-1:2007</p> <p>LUZ DE LÁSER - NO MIRE DIRECTAMENTE AL HAZ DE LUZ PRODUCTO. LASER DE LA CLASE 2 1.0mW - 630 - 680nm</p>
TURKISH	 <p>AVOID EXPOSURE - LASER RADIATION IS EMITTED FROM THIS APERTURE. EN60825-1:2007/IEC60825-1:2007</p> <p>LAZER RADYASYON İŞİNA DOĞRU BAKMAIYN. CLASS 2 LAZER ÜRÜNÜ 1.0mW - 630 - 680nm</p>	DUTCH	 <p>AVOID EXPOSURE - LASER RADIATION IS EMITTED FROM THIS APERTURE. EN60825-1:2007/IEC60825-1:2007</p> <p>LASERBESTRALING NIET IN DE LICHTSTRAAL STAREN. KLAS 2 LASER PRODUCT 1.0mW - 630 - 680nm</p>
SIMPLIFIED CHINESE	 <p>AVOID EXPOSURE - LASER RADIATION IS EMITTED FROM THIS APERTURE. EN60825-1:2007/IEC60825-1:2007</p> <p>激光辐射 - 勿直视光束 2类激光产品 1.0mW - 630 - 680nm</p>	PORTUGUESE	 <p>AVOID EXPOSURE - LASER RADIATION IS EMITTED FROM THIS APERTURE. EN60825-1:2007/IEC60825-1:2007</p> <p>LUZ DE LASER NÃO OLHE NO RAI PRODUTO DE LASER DE CLASSE 2 1.0mW - 630 - 680nm</p>
JAPANESE	 <p>AVOID EXPOSURE - LASER RADIATION IS EMITTED FROM THIS APERTURE. EN60825-1:2007/IEC60825-1:2007</p> <p>レーザー光線 - 光線を見つめると 危険です。クラス2レーザー製品 1.0mW - 630 - 680nm</p>	SWEDISH	 <p>AVOID EXPOSURE - LASER RADIATION IS EMITTED FROM THIS APERTURE. EN60825-1:2007/IEC60825-1:2007</p> <p>LASERSTRÅLNING STIRRA EJ IN ISTRÅLEN. LASERPRODUKT KLASS 2 1.0mW - 630 - 680nm</p>
KOREAN	 <p>AVOID EXPOSURE - LASER RADIATION IS EMITTED FROM THIS APERTURE. EN60825-1:2007/IEC60825-1:2007</p> <p>레이저 라이트 - 빛을 바로 쳐다보지 마십시오. 2류 레이저 상품 1.0mW - 630 - 680nm</p>	FINNISH	 <p>AVOID EXPOSURE - LASER RADIATION IS EMITTED FROM THIS APERTURE. EN60825-1:2007/IEC60825-1:2007</p> <p>VAARA LASERSÄTEILYÄ ÄLÄ TUJOTA SÄTEESEEN. LUOKAN 2 LASER 1.0mW - 630 - 680nm</p>

---

## Lithium Battery Safety Statement

Caution: Lithium battery inside. Danger of explosion if battery is incorrectly replaced. Replace only with same or equivalent type recommended by battery manufacturer. (US)

Attention: Contient une pile de lithium. Risque d'explosion dans le cas où la pile ne serait pas correctement remplacée. Remplacer uniquement avec une pile semblable ou équivalente au type de pile recommandé par le fabricant. (FR)

Forsigtig: Indeholder lithiumbatterier. Risiko for eksplosion, hvis batteriet udskiftes forkert. Må kun udskiftes med samme eller tilsvarende type, som anbefalet af fabrikanten. (DK)

Varoitus: Tämä tuote käyttää laservaloa. Skannerissa on jokin seuraavista tarroista. Lue Huomio-kohta. (FI)

Vorsicht: Enthält Lithium-Batterie. Bei unsachgemäßem Ersatz besteht Explosionsgefahr. Nur durch gleichen oder vom Hersteller empfohlenen Typ ersetzen. (DE)

Attenzione: Batteria al litio. Pericolo di esplosione qualora la batteria venga sostituita in maniera scorretta. Sostituire solo con lo stesso tipo o equivalente consigliato per il fabbricante. (IT)

Atenção: Contém pilha de lítio. Há perigo de explosão no caso de uma substituição incorreta. Substitua somente pelo mesmo tipo, ou equivalente, recomendado pelo fabricante. (PT)

Varning: Innehåller litiumbatteri. Fara för explosion om batteriet är felaktigt placerat eller av fel typ. Använd endast samma eller motsvarande typ batterier rekommenderade av tillverkaren. (SE)

Advarsel: Innmontert Lithium batteri. Eksplosjonsfare ved feil montering av batteri. Benytt kun batteri anbefalt av produsent. (NO)

Cuidado: Pila de litio adentro. Peligro de explosión si la pila se reemplaza incorrectamente. Reemplace solamente con el mismo tipo o equivalente recomendado por el fabricante. (ES)

Oppassen: Bevat Lithium-batterij. Incorrecte plaatsing van batterij kan leiden tot explosiegevaar. Alleen vervangen door hetzelfde of door fabrikant aanbevolen gelijkwaardig type. (NL)

<p><b>Προσοχή:</b> Υπάρχει μπαταρία από λίθιο εσωτερικά. Υπάρχει κίνδυνος έκρηξης εάν η μπαταρία αντικατασταθεί με λανθασμένο τρόπο. Αντικαταστήστε μόνο με τον ίδιο ή ισοδύναμο τύπο που συνιστάται από τον κατασκευαστή. (GR)</p>	<p><b>주의:</b> 리튬 배터리 내부. 배터리가 잘못 설치되었을 경우 폭발의 위험이 있습니다. 동일한 배터리, 또는 배터리 제조업체가 권장하는 배터리로 교체하십시오. (KR)</p>
<p><b>注意:</b> リチウム電池が入っています。間違った種類の電池を使用すると、破裂する恐れがあります。同じ電池、または電池製造元が推奨する同等の電池を使用してください。 (JP)</p>	<p><b>小心:</b> 内装锂电池。如电池更换不当，则有发生爆炸的危险。只能用电池制造商推荐的相同或同等电池进行更换。 (CN)</p>
<p><b>Dikkat:</b> İçinde lityum bataryası bulunur. Bataryanın yanlış değiştirilmesi patlama tehlikesi yaratır. Aynısıyla veya üreticinin önerdiği eşdeğer tipte değiştirin. (TR)</p>	

Legend: Chinese – CN; Danish – DK; Dutch – NL; English – US; Finnish – FI; French – FR; German – DE; Greek – GR; Italian – IT; Japanese – JP; Korean – KR; Norwegian – NO; Portuguese – PT; Spanish – ES; Swedish – SE; Turkish – TR.

---

## Vehicle Power Supply Connection Safety Statement

Vehicle Power Supply Connection: If the supply connection is made directly to the battery, a 10A slow-blow fuse should be installed in the positive lead within 5 inches (12.7 cm.) of the battery positive (+) terminal. (US)

Raccordement de l'alimentation du véhicule Si l'alimentation est raccordée directement à la batterie, un fusible à action retardée de 10A doit être installé sur le câble positif à moins de 12,7 cm de la borne positive (+) de la batterie. (FR)

EL forsyning af køretøjet. Er forsyningsforbindelsen direkte tilknyttet til batteriet og og tilsluttet til den positive part indenfor 12,7 cm (+ delen). vil der være en langsom tændelse af 10 ampere. (DK)

Kytkentä ajoneuvon virtalähteeseen Jos virtaa otetaan suoraan akusta, 10 ampeerin hidas sulake on asennettava positiiviseen johtoon enintään 12 cm:n etäisyydelle akun positiivisesta (+) navasta. (FI)

Anschluss an Fahrzeugbatterie Bei direktem Anschluss an die Fahrzeugbatterie sollte eine träge 10A-Sicherung in die positive Leitung zwischengeschaltet werden, und zwar nicht weiter als ca. 13 cm von der positiven (+) Batterieklemme entfernt. (DE)

Σύνδεση Τροφοδοτικού Ισχύος Οχήματος Αν η σύνδεση του τροφοδοτικού γίνει κατευθείαν στη μπαταρία, μια ασφάλεια βραδείας τήξης των 10Α θα πρέπει να τοποθετηθεί στο θετικό καλώδιο εντός 5 ιντσών (12,7 εκ.) του θετικού (+) ακροδέκτη της μπαταρίας. (GR)

Collegamento dell'alimentazione del veicolo Se il collegamento dell'alimentazione viene stabilito direttamente con la batteria, è necessario installare un fusibile ad azione lenta da 10A nel conduttore positivo a meno di 5 in. (12,7 cm) dal terminale positivo (+) della batteria. (IT)

Tilkople strømforsyningen til kjøretøyet Hvis strømforsyningen koples direkte til batteriet, skal det installeres en 10A treg sikring i den positive ledningen innen 12,7 cm fra plusspolen (+) på batteriet. (NO)

Ligação do fornecimento de corrente do veículo Se a ligação de fornecimento de corrente for ligada directamente à bateria, deve instalar-se um fusível de 10A no terminal positivo, a 12,7 cm. do terminal positivo (+) da bateria. (PT)

Conexión de suministro eléctrico para el vehículo Si el suministro eléctrico se proporciona directamente a la batería, se debe instalar un fusible de retardo de 10A en el conductor positivo, como máximo a 12,7 cm (5 pulgadas) del terminal positivo (+). (ES)

Fordonets strömförsörjningskoppling Om strömkopplingen görs direkt till batteriet, måste en 10A-säkring installeras i den positivt laddade ledningen inom 12.7 cm från batteriets pluspol (+). (SE)

Taşıt Güç Kaynağı Bağlantısı Kaynak bağlantısı doğrudan aküye yapılırsa, pozitif bağlantı kablosu üzerinde akünün pozitif (+) kutbuna 12.7 cm mesafede 10A'lık yavaş atan bir sigorta monte edilmelidir. (TR)

Legend: Danish – DK; English – US; Finnish – FI; French- - FR; German – DE; Greek – GR; Italian – IT; Norwegian – NO; Portuguese – PT; Spanish – ES; Swedish – SE; Turkish – TR.

---

## Chapter 5: Technical Assistance

If you need assistance installing or troubleshooting your device, please contact us by using one of the methods below:

**Knowledge Base:** [www.hsmknowledgebase.com](http://www.hsmknowledgebase.com)

Our Knowledge Base provides thousands of immediate solutions. If the Knowledge Base cannot help, our Technical Support Portal (see below) provides an easy way to report your problem or ask your question.

**Product Service and Repair:** [www.honeywellaidc.com](http://www.honeywellaidc.com)

Honeywell International Inc. provides service for all of its products through service centers throughout the world. To obtain warranty or non-warranty service, please visit [www.honeywellaidc.com](http://www.honeywellaidc.com) and select Support > Contact Service and Repair to see your region's instructions on how to obtain a Return Material Authorization number (RMA #). You should do this prior to returning the product.

**Technical Support Portal:** [www.hsmsupportportal.com](http://www.hsmsupportportal.com)

The Technical Support Portal not only allows you to report your problem, but it also provides immediate solutions to your technical issues by searching our Knowledge Base. With the Portal, you can submit and track your questions online and send and receive attachments.

**Web form:** [www.hsmcontactsupport.com](http://www.hsmcontactsupport.com)

You can contact our technical support team directly by filling out our online support form. Enter your contact details and the description of the question/problem.

**Telephone:** [www.honeywellaidc.com/locations](http://www.honeywellaidc.com/locations)

For our latest contact information, please check our website at the link above.

Honeywell Scanning & Mobility  
9680 Old Bailes Road  
Fort Mill, SC 29707  
[www.honeywellaidc.com](http://www.honeywellaidc.com)

E-EQ-MARATHONOGWW  
Rev C  
4/12