

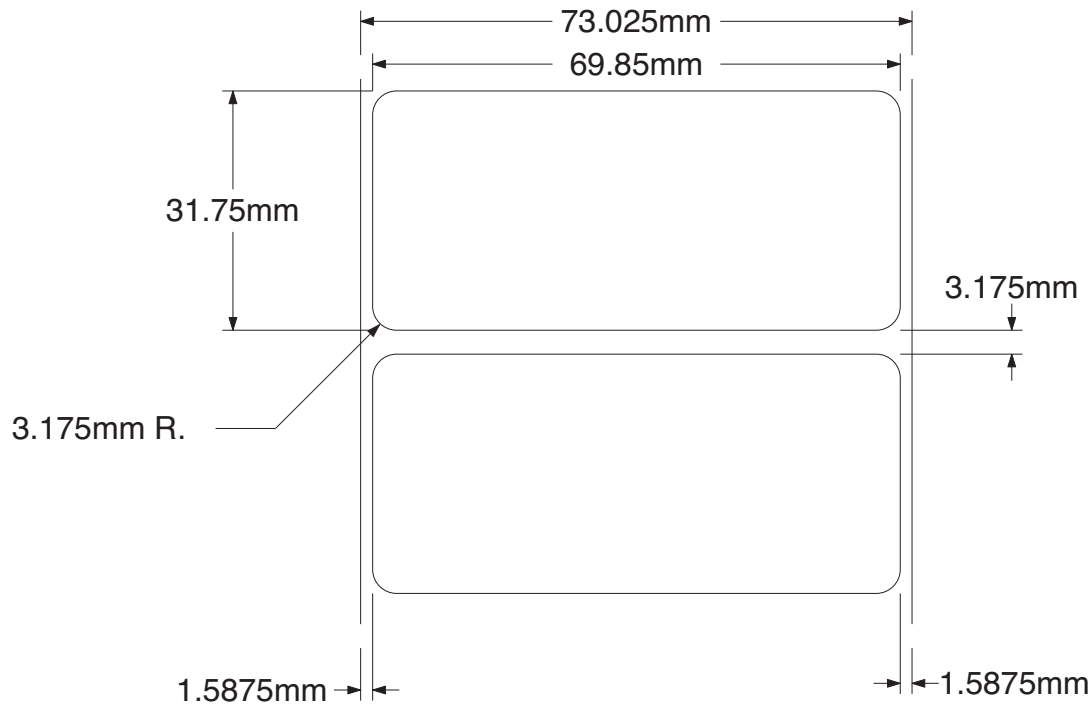


THIS DRAWING IS THE EXCLUSIVE PROPERTY OF ZEBRA TECHNOLOGIES EUROPE LIMITED, FURNISHED FOR EVALUATION ONLY ON A CONFIDENTIAL BASIS, AND SHALL NOT BE DISCLOSED, REPRODUCED, COPIED OR OTHERWISE USED FOR ANY PURPOSE WHATSOEVER, WITHOUT PRIOR WRITTEN CONSENT OF ZEBRA TECHNOLOGIES EUROPE LIMITED.

Label, Paper, 70x32mm; Direct Thermal, Z-PERFORM 1000D, Uncoated, Permanent Adhesive, 25mm Core

880181-031D

© Copyright Zebra Technologies Europe Limited. All rights reserved.



DIRECTION LEADING OFF FINISHED ROLL - WOUND OUTSIDE



Material: Z-Perform 1000D (no shrinkwrap)

Material code: 65345RM  
Quantity of labels per roll: 2,100  
Diameter of roll MUST NOT exceed: 5"  
Roll length: 73.34 m 240.64 ft

Size: 69.85 x 31.75 mm's  
2.75 x 1.25 inches

Core Size: 25.4 mm Code: TUBE010

Zebra Core:  Plain:

Wound Inside:  Outside:

Shrinkwrap:  Bag:  Box:

Drawing to scale:  Yes  No

Measurement Tolerance: ±1/32"

Colour Tolerance: ± Half a Pantone Colour

NB: THIS PROOF IS ONLY A VISUAL GUIDE, NOT FOR COLOUR MATCH, AND DOES NOT REPRESENT INKS ON FINAL SUBSTRATE.



ROLLS